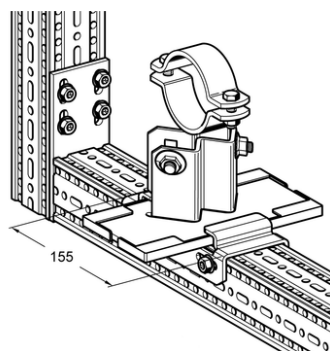
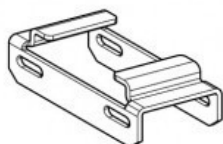


# GUIDE BRACKETS FW F



## APPLICATION

Element for modification of Sliding Pipe Shoes to Guided Pipe Shoes.

## INSTALLATION

Connection to Beam Section F 80 or F 100 by means of 4 Self-Forming Screws FLS F.

## TECHNICAL DATA

Material: Steel, hot-dipped galvanised.

Codice	Nome	Peso	Numero di pezzi
110349	FW F 80	0.55	-
113088	FW F 100	0.73	1

### PROSYSTEM ITALIA SRL

Via Friuli venezia Giulia, 15  
30030 Pianiga - Venezia - Italy  
T +39.041.510.1622  
F +39.041.5131351

P.IVA 03470750278  
Reg.Imp. Ve 03470750278  
Cap.soc. € 90.000,00  
REA Padova n° 311219

[info@prosystemitalia.com](mailto:info@prosystemitalia.com)  
[prosystemitalia.com](http://prosystemitalia.com)

Codice	Nome	Peso	Numero di pezzi
113628	FW F 80 Z 6	0.5	1
113629	FW F 80 Z 9	0.5	1
113630	FW F 80 Z 12	0.5	1
113975	FW F 80 Z 15	0.5	1
113632	FW F 100 Z 6	0.6	1
113633	FW F 100 Z 9	0.6	1
113634	FW F 100 Z 12	0.6	1
113976	FW F 100 Z 15	0.6	1
113627	FW F 80 L	0.5	1
113631	FW F 100 L	0.6	1

**PROSYSTEM ITALIA SRL**

Via Friuli venezia Giulia, 15  
30030 Pianiga - Venezia - Italy  
T +39.041.510.1622  
F +39.041.5131351

P.IVA 03470750278  
Reg.Imp. Ve 03470750278  
Cap.soc. € 90.000,00  
REA Padova n° 311219

[info@prosystemitalia.com](mailto:info@prosystemitalia.com)  
[prosystemitalia.com](http://prosystemitalia.com)