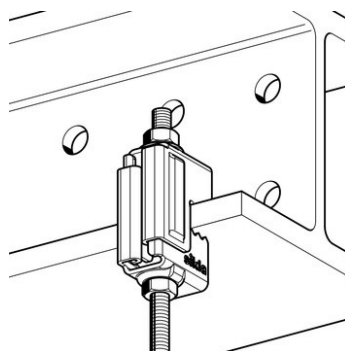
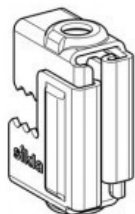


# MORSETTO TCS F



## APPLICATION

The TCS F Beam Clamp is a solid element designed for connecting pipes, ducts and other equipment to steel sections (UB, UC, PFC sections). A self-locking mechanism allows positioning by using one hand. The TCS F Beam Clamp can be used both for single drop rods and, in pairs, for trapezes.

## INSTALLATION

Place the beam clamp around the flange and push the two components together. Pass the threaded rod through the beam clamp and tighten both nuts (tightening torque 10 Nm).

Follow the assembly instructions! For FM systems, M10 only!

## TECHNICAL DATA

The nominal loads stated below apply to new beam clamps in combination with un-damaged beam flanges.

## APPROVALS

Nominal load: 3.5 kN  
Material: high-tensile steel, zinc-plated  
The TCS F Beam Clamp is compliant with VdS and FM regulations for Fire Sprinkler Systems. VdS approval G418017

Codice	Nome	Peso	Numero di pezzi
--------	------	------	-----------------

### PROSYSTEM ITALIA SRL

Via Friuli venezia Giulia, 15  
30030 Pianiga - Venezia - Italy  
T +39.041.510.1622  
F +39.041.5131351

P.IVA 03470750278  
Reg.Imp. Ve 03470750278  
Cap.soc. € 90.000,00  
REA Padova n° 311219

[info@prosystemitalia.com](mailto:info@prosystemitalia.com)  
[prosystemitalia.com](http://prosystemitalia.com)

Codice	Nome	Peso	Numero di pezzi
116488	TCS F Ã? 10,5	0.21	50

---

**PROSYSTEM ITALIA SRL**

Via Friuli venezia Giulia, 15  
30030 Pianiga - Venezia - Italy  
T +39.041.510.1622  
F +39.041.5131351

P.IVA 03470750278  
Reg.Imp. Ve 03470750278  
Cap.soc. € 90.000,00  
REA Padova n° 311219

[info@prosystemitalia.com](mailto:info@prosystemitalia.com)  
[prosystemitalia.com](http://prosystemitalia.com)