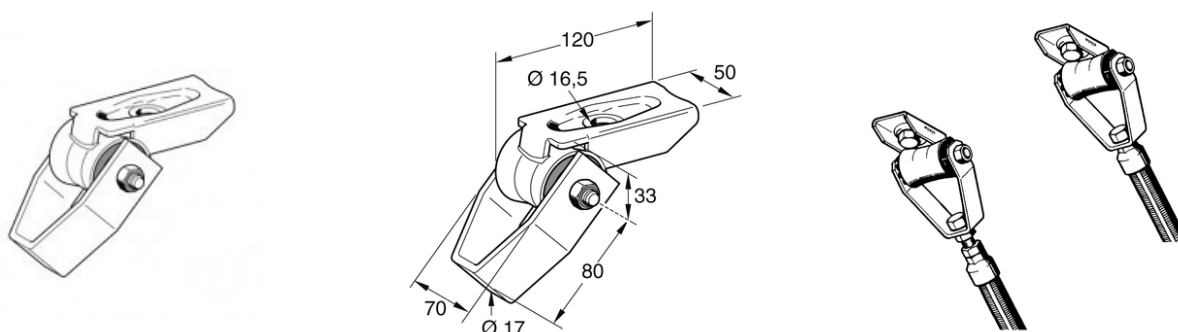


SOUND ABSORBER SDE 2-UG 16



APPLICATION

Universal sound absorption element for heavy loads. Particularly suitable for soundproof installation according to DIN 4109

of single connections to M16 Threaded rods, also on girders or roof structures of any gradient of soundproof Fixed Points in trestle arrangement using 4 SDE 2-UG 16.

Suitable for installation of soundproof inclined supports, or onto Channels (recommended from size 41/41).

SCOPE OF DELIVERY

The joint bracket, which is to be connected with the support system, is pre-assembled using an M10 hexagon bolt and safety nut.

INSTALLATION

For soundproof single point installation we recommend to connect the SDE 2-UG 16 to the centric thread connection of the Stabil D-3G.

PROSYSTEM ITALIA SRL

Via Friuli venezia Giulia, 15
30030 Pianiga - Venezia - Italy
T +39.041.510.1622
F +39.041.5131351

P.IVA 03470750278
Reg.Imp. Ve 03470750278
Cap.soc. € 90.000,00
REA Padova n° 311219

info@prosystemitalia.com
prosystemitalia.com

For soundproof Fixed Points in trestle arrangement (see picture below), please see the notes in the Fixed Point section.

Instead of the normally used 4 Universal Joints, 4 Sound Absorber SDE 2-UG 16 are used to fix on the building structure.

TECHNICAL DATA

Working load (tension or pressure for all directions in the plane of rotation): max. 10 kN

Fixed Point force in pipe axis direction for trestle arrangement as per picture below: max. 25 kN

Sound absorption value: up to 15 dB(A)

Note:

Lateral forces require additional support.

Dimensioning of the anchor of further joining elements may restrict the application.

Type	Connection to building structure [mm]	Connection to system [mm]	Spring constant c [kN/mm]
SDE 2 - UG 16	∅ 16.5	∅ 17.0	3.5

Material: - Metal body: Welded steel, electro-galvanised;- Sound absorption insert: PUR (foamed), RG 650 kg/m³.

Temperature range: -30 up to +100°C

PROSYSTEM ITALIA SRL

Via Friuli venezia Giulia, 15
30030 Pianiga - Venezia - Italy
T +39.041.510.1622
F +39.041.5131351

P.IVA 03470750278
Reg.Imp. Ve 03470750278
Cap.soc. € 90.000,00
REA Padova n° 311219

info@prosystemitalia.com
prosystemitalia.com

Codice	Nome	Peso	Numero di pezzi
161053	UG 16	0.98	10

PROSYSTEM ITALIA SRL

Via Friuli venezia Giulia, 15
30030 Pianiga - Venezia - Italy
T +39.041.510.1622
F +39.041.5131351

P.IVA 03470750278
Reg.Imp. Ve 03470750278
Cap.soc. € 90.000,00
REA Padova n° 311219

info@prosystemitalia.com
prosystemitalia.com