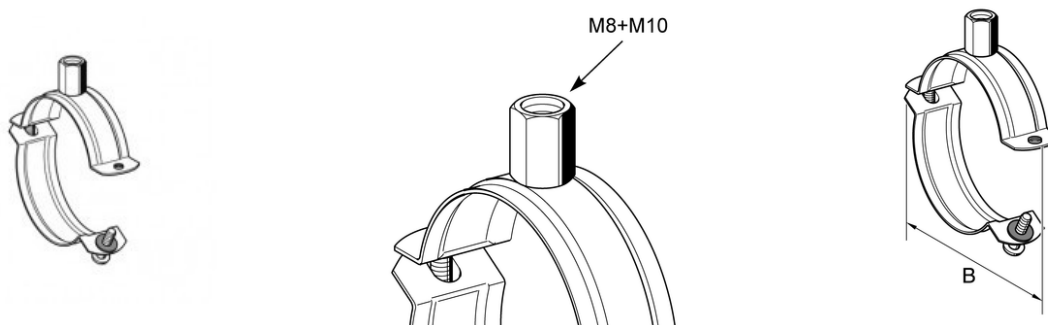


DUO CLAMP SRS



APPLICATION

Two-piece pipe clamp with double thread connection (M8/M10) for the installation of pipelines.

SCOPE OF DELIVERY

Supplied with two bolts partially mounted on one side and therefore ready for immediate installation. The clamping bolt on the open side is retained by a plastic washer, thus preventing any accidental unscrewing.

TECHNICAL DATA

Material: Steel, electro-galvanised.

Size range[mm]	Max. adm. load [kN]	Tightening torque[Nm]	Material W x th[mm]	B [mm]
13 - 18	0,6	2	20 x 1.5	53
19 - 22	0,6	2	20 x 1.5	55
23 - 26	0,6	2	20 x 1.5	59

PROSYSTEM ITALIA SRL

Via Friuli venezia Giulia, 15
30030 Pianiga - Venezia - Italy
T +39.041.510.1622
F +39.041.5131351

P.IVA 03470750278
Reg.Imp. Ve 03470750278
Cap.soc. € 90.000,00
REA Padova n° 311219

info@prosystemitalia.com
prosystemitalia.com

Size range[mm]	Max. adm. load [kN]	Tightening torque[Nm]	MaterialW x th[mm]	B [mm]
27 - 30	0,6	2	20 x 1.5	63
32 - 36	0,6	2	20 x 1.5	69
40 - 44	0,6	2	20 x 1.5	76
48 - 54	0,6	2	20 x 1.5	92
55 - 59	0,6	2	20 x 1.5	99
60 - 66	0,6	2	20 x 1.5	105
68 - 73	0,6	2	20 x 1.5	112
75 - 80	2,5	2	25 x 2.0	125
84 - 89	2,5	2	25 x 2.0	134
90 - 98	2,5	2	25 x 2.0	141
94 - 101	2,5	2	25 x 2.0	147
102 - 108	2,5	2	25 x 2.0	151
110 - 115	2,5	2	25 x 2.0	160
118 - 125	2,5	2	25 x 2.5	173
129 - 136	2,5	2	25 x 2.5	186
138 - 144	2,5	2	25 x 2.5	193
144 - 153	2,5	2	25 x 2.5	203
159 - 167	2,5	2	25 x 2.5	215

Codice	Nome	Peso	Numero di pezzi
173216	13 - 18 mm 3/8"	0.04	100
173225	19 - 22 mm 1/2"	0.05	100

PROSYSTEM ITALIA SRL

Via Friuli venezia Giulia, 15
30030 Pianiga - Venezia - Italy
T +39.041.510.1622
F +39.041.5131351

P.IVA 03470750278
Reg.Imp. Ve 03470750278
Cap.soc. € 90.000,00
REA Padova n° 311219

info@prosystemitalia.com
prosystemitalia.com

Codice	Nome	Peso	Numero di pezzi
173234	27 - 30 mm ¾"	0.05	100
173243	32 - 36 mm 1"	0.05	100
173252	40 - 44 mm 1 ¼"	0.06	50
173261	48 - 54 mm 1 ½"	0.07	50
182990	55 - 59 mm	0.08	50
173279	60 - 66 mm 2"	0.08	50
173288	68 - 73 mm	0.09	25
173297	75 - 80 mm 2 ½"	0.15	25
173306	84 - 89 mm 3"	0.16	25
186023	90 - 98 mm	0.16	25
186032	94 - 101 mm	0.17	25
173315	102 - 108 mm	0.18	25
173324	110 - 115 mm 4"	0.18	25
186041	118 - 125 mm	0.24	25
191387	129 - 136 mm	0.26	25
191396	138 - 144 mm 5"	0.27	25
191405	144 - 153 mm	0.29	25
191414	159 - 167 mm	0.3	25

PROSYSTEM ITALIA SRL

Via Friuli venezia Giulia, 15
30030 Pianiga - Venezia - Italy
T +39.041.510.1622
F +39.041.5131351

P.IVA 03470750278
Reg.Imp. Ve 03470750278
Cap.soc. € 90.000,00
REA Padova n° 311219

info@prosystemitalia.com
prosystemitalia.com