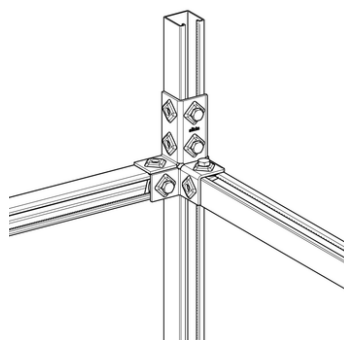
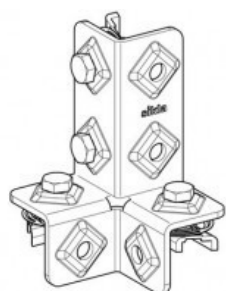


PIASTRA ANGOLARE EV CC 41-5



APPLICATION

Pre-assembled connecting element for three-dimensional frame structures, optimised for linking channels of the 41 series at an angle of 90°. Preferably used in combination with 41/41 square channels. The adjustment for the channel opening could still be chosen.

INSTALLATION

To be used in pairs.

TECHNICAL DATA

Max. perm. load: 5.0 kN centre load per crossbar fixed with 2 Angle Connectors EV CC 41-5.

Tightening torque: 50 Nm

Material: Steel, HCP.

Codice	Nome	Peso	Numero di pezzi
117466	EV CC41-5 HCP	-	-

PROSYSTEM ITALIA SRL

Via Friuli venezia Giulia, 15
30030 Pianiga - Venezia - Italy
T +39.041.510.1622
F +39.041.5131351

P.IVA 03470750278
Reg.Imp. Ve 03470750278
Cap.soc. € 90.000,00
REA Padova n° 311219

info@prosystemitalia.com
prosystemitalia.com