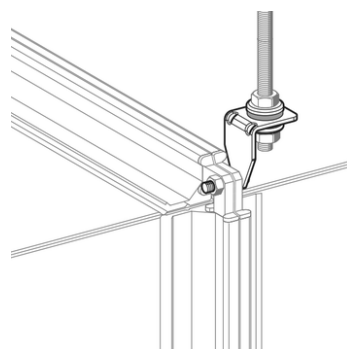


DUCTING ANGLE LUW F



APPLICATION

Ducting Angle for a direct installation to the flange of rectangular ventilation ducts. Due to this external connection it's not necessary to penetrate the duct, therefore flow losses do not occur. In addition there are no leakages and flow noises. No disturbing screw tips interfere with cleaning operations. The Ductings Angles LUW F exceed the demands of VDI Standard 6022 (Hygiene requirements for ductings) Type LUW SF is suitable for soundproof duct installations according to DIN 4109. The slot allows adjustment facilities to compensate drill hole differences and construction tolerances.

SCOPE OF DELIVERY

With a pre-assembled sound absorption head

INSTALLATION

The ventilation duct could be connected directly to the pre-assembled grub screw.

TECHNICAL DATA

Working load: 0,8 kN Material (Metal component): Steel, pre-galvanised Types SF:

Inserted insulation: Up to 8,7 dB (A) Sound absorption unit: EPDM, black Hardness: 45+ / -5°

Shore Temperature range: -50 up to +110°C

PROSYSTEM ITALIA SRL

Via Friuli venezia Giulia, 15
30030 Pianiga - Venezia - Italy
T +39.041.510.1622
F +39.041.5131351

P.IVA 03470750278
Reg.Imp. Ve 03470750278
Cap.soc. € 90.000,00
REA Padova n° 311219

info@prosystemitalia.com
prosystemitalia.com

Codice	Nome	Peso	Numero di pezzi
113331	LUW F M8	0.08	100
113329	LUW SF M 8	0.08	100
113330	LUW SF M10	0.08	100

PROSYSTEM ITALIA SRL

Via Friuli venezia Giulia, 15
30030 Pianiga - Venezia - Italy
T +39.041.510.1622
F +39.041.5131351

P.IVA 03470750278
Reg.Imp. Ve 03470750278
Cap.soc. € 90.000,00
REA Padova n° 311219

info@prosystemitalia.com
prosystemitalia.com