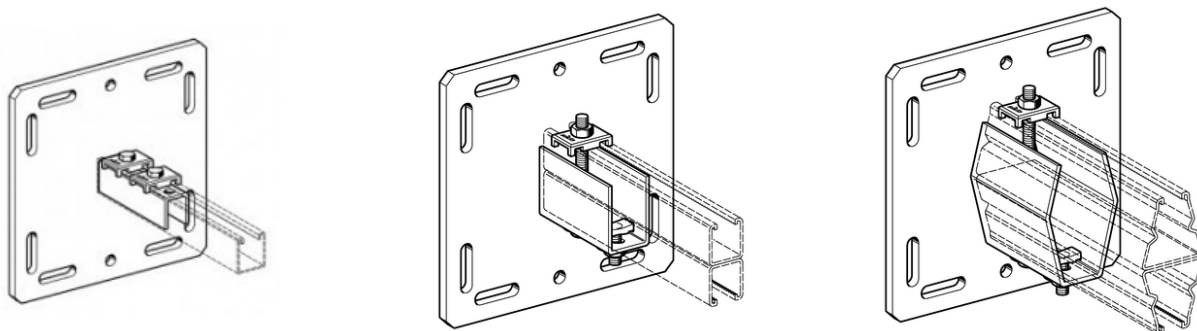


END SUPPORT WBD C HCP



APPLICATION

In combination with channels 41/41 or 41-75/75, End Support WBD is ideal for setting up support structures attached to walls, floors and ceilings and for direct fixing to steel beams. In combination with Joining Plate AP, a fixing to beams with flange width > 120 mm is possible.

Version 41-75/75 D C1 allows a direct fixing to beams with respective flange widths.

SCOPE OF DELIVERY

Base plate with welded U-profile

Accessories (pre-assembled):

- 2 Holding brackets and 2 hexagon bolts, 2 welded hexagon nuts (WBD C for single channels)
- 1 Holding Bracket, 1 T-Bolt, nut, bolt and washer (WBD C for double channels)

PROSYSTEM ITALIA SRL

Via Friuli venezia Giulia, 15
30030 Pianiga - Venezia - Italy
T +39.041.510.1622
F +39.041.5131351

P.IVA 03470750278
Reg.Imp. Ve 03470750278
Cap.soc. € 90.000,00
REA Padova n° 311219

info@prosystemitalia.com
prosystemitalia.com

INSTALLATION

Depending on the situation, different options are recommended:

- a) Frictional connection to steel beams using Assembly Set P2 (C0) or P3 (C1).
- b) Fixing to the building structure using at least 2 heavy-duty anchors M12 (C0) or M16 (C1).

Please observe loads and approvals of anchors.

For ceiling mounting, the bolt connecting channel and end support must pass through both parts.

TECHNICAL DATA

Type	For Channel	Dimensions of Base Plate [mm]	For beam width [mm]	Holes for
41/41-45 C0	41/41 41/45	220 x 220 x 12	80 - 120	M12
41-75/75 C0	41-75/75	220 x 220 x 12	80 - 120	M12
41/41-45 D C0	41/41 D 41/45 D	220 x 220 x 12	80 - 120	M12
41-75/75 D C1	41-75/75 D	340 x 340 x 12	100 - 200	M16

Material:

- End Support WBD: Steel, HCP;
- Holding Bracket: Cast iron, HCP;
- Accessories: Steel, HCP.

Codice	Nome	Peso	Numero di pezzi
179498	WBD C0 41/41	5.09	1

PROSYSTEM ITALIA SRL

Via Friuli venezia Giulia, 15
30030 Pianiga - Venezia - Italy
T +39.041.510.1622
F +39.041.5131351

P.IVA 03470750278
Reg.Imp. Ve 03470750278
Cap.soc. € 90.000,00
REA Padova n° 311219

info@prosystemitalia.com
prosystemitalia.com

Codice	Nome	Peso	Numero di pezzi
179507	WBD C0 41-75/75	4.74	1
179561	WBD C0 41/41 D	5.16	1
179579	WBD C1 41-75/75 D	12.32	1

PROSYSTEM ITALIA SRL

Via Friuli venezia Giulia, 15
30030 Pianiga - Venezia - Italy
T +39.041.510.1622
F +39.041.5131351

P.IVA 03470750278
Reg.Imp. Ve 03470750278
Cap.soc. € 90.000,00
REA Padova n° 311219

info@prosystemitalia.com
prosystemitalia.com