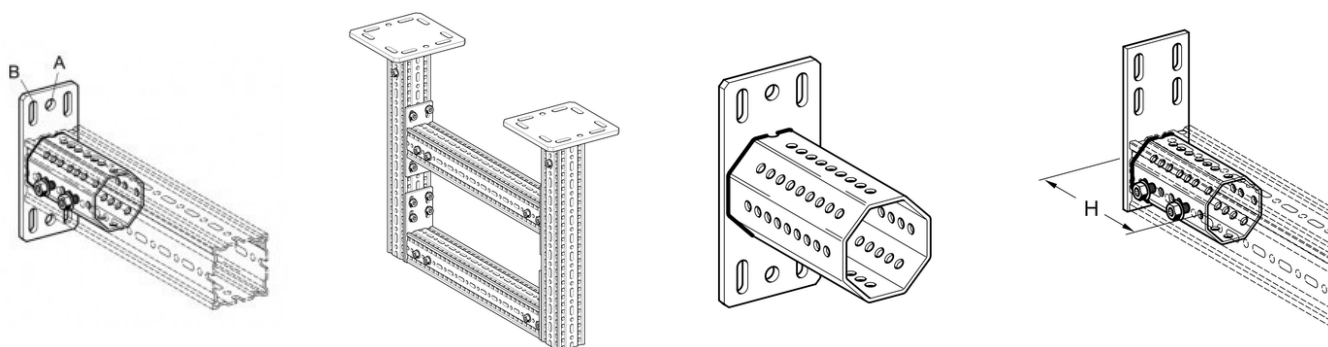


# END SUPPORT STA F 80



## APPLICATION

Plug-in component designed to create an endplate at the open end of a Beam Section TP F80 or a Cantilever bracket AK F80. By means of the round holes in the base plate a direct connection to existing cast-in channels is possible.

## INSTALLATION

Depending on the version, following mountings solutions are possible:

- With 2x4 Self Forming Screws FLS when used to connect 2 Beam Sections;
- With 4 Self Forming Screws FLS applied to the octagonal insert and 2 suitable wall anchors/fixings when connected to the building structure.

The Beam Section TP F 80/80 connected to the End Support STA F 80 has to be screwed with 4 Self Forming Screws FLS F. On each of the opposite sides 2 Self Forming Screws FLS F are necessary.

## TECHNICAL DATA

### PROSYSTEM ITALIA SRL

Via Friuli venezia Giulia, 15  
30030 Pianiga - Venezia - Italy  
T +39.041.510.1622  
F +39.041.5131351

P.IVA 03470750278  
Reg.Imp. Ve 03470750278  
Cap.soc. € 90.000,00  
REA Padova n° 311219

[info@prosystemitalia.com](mailto:info@prosystemitalia.com)  
[prosystemitalia.com](http://prosystemitalia.com)

Type	Dimensions of Base plate [mm]	A[mm]	B[mm]	H[mm]
STA F 80	190 x 80 x 8	14	20 x 11	148
STA F 80-E	165 x 80 x 8	-	20 x 11	148

Configuration: Base plate welded to octagonal element F 80

Material:

- Plate: Steel, HCP;
- Octagonal element: Steel, HCP.

## APPROVALS

CE mark, according to EN 1090.



Codice	Nome	Peso	Numero di pezzi
117160	STA F 80	1.08	1
192856	STA F 80	1.6	1
192863	STA F 80-E	1.5	1

### PROSYSTEM ITALIA SRL

Via Friuli venezia Giulia, 15  
30030 Pianiga - Venezia - Italy  
T +39.041.510.1622  
F +39.041.5131351

P.IVA 03470750278  
Reg.Imp. Ve 03470750278  
Cap.soc. € 90.000,00  
REA Padova n° 311219

[info@prosystemitalia.com](mailto:info@prosystemitalia.com)  
[prosystemitalia.com](http://prosystemitalia.com)