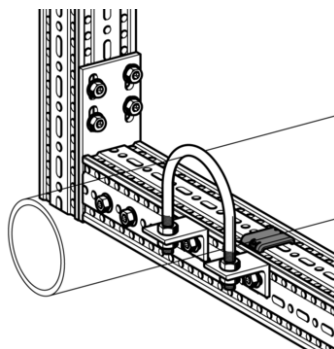


PAD U-UB F 80



APPLICATION

Insulation and surface protection pad to be used on demand when a pipes' expansion and contraction occurs directly on the F80 section.

TECHNICAL DATA

Material: Polyamide PA 6.0.

Range of temperature: -20° up to +130° C

Codice	Nome	Peso	Numero di pezzi
198797	U-UB F 80	0.01	-

PROSYSTEM ITALIA SRL

Via Friuli venezia Giulia, 15
30030 Pianiga - Venezia - Italy
T +39.041.510.1622
F +39.041.5131351

P.IVA 03470750278
Reg.Imp. Ve 03470750278
Cap.soc. € 90.000,00
REA Padova n° 311219

info@prosystemitalia.com
prosystemitalia.com