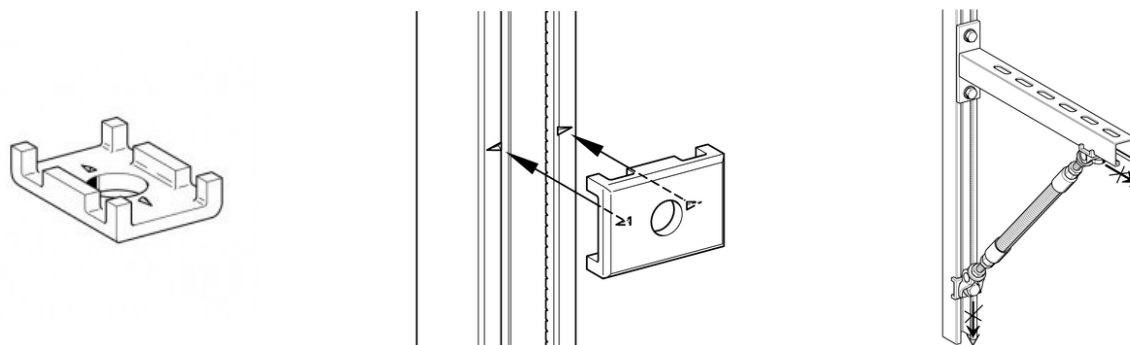


HOLDING BRACKET HK 41



APPLICATION

Safety element for channels to be used instead of simple washers. The Holding Bracket prevents the edges along the opening of the channels from bending, and ensures optimum load distribution. When loads are imposing along the channels, 41 Holding Brackets provide for additional safety due to embossed teeth, which bite into the channel. Suitable for single and double channels.

Special blanking guarantees high security and shear force after achieving form closure, especially for screwed through connecting elements.

TECHNICAL DATA

Material: cast iron, electro-galvanised.

| Type | Bore[mm] |
|---------|----------|
| B 41/10 | 11 |
| B 41/12 | 13 |
| B 41/16 | 17 |

PROSYSTEM ITALIA SRL

Via Friuli venezia Giulia, 15
30030 Pianiga - Venezia - Italy
T +39.041.510.1622
F +39.041.5131351

P.IVA 03470750278
Reg.Imp. Ve 03470750278
Cap.soc. € 90.000,00
REA Padova n° 311219

info@prosystemitalia.com
prosystemitalia.com

| Codice | Nome | Peso | Numero di pezzi |
|--------|---------|------|-----------------|
| 178247 | B 41/10 | 0.06 | 50 |
| 178256 | B 41/12 | 0.07 | 50 |
| 178265 | B 41/16 | 0.07 | 50 |

PROSYSTEM ITALIA SRL

Via Friuli venezia Giulia, 15
30030 Pianiga - Venezia - Italy
T +39.041.510.1622
F +39.041.5131351

P.IVA 03470750278
Reg.Imp. Ve 03470750278
Cap.soc. € 90.000,00
REA Padova n° 311219

info@prosystemitalia.com
prosystemitalia.com