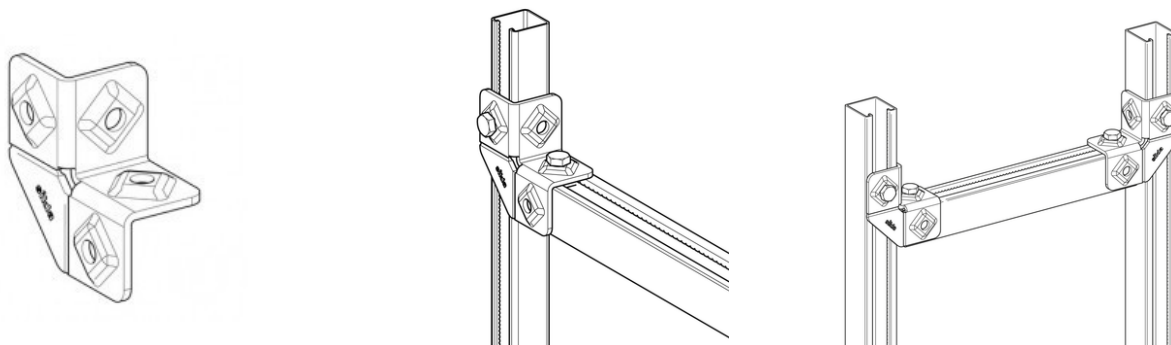


PIASTRA ANGOLARE EW 41-1



APPLICATION

Connecting element for frame structures with channels of the 41 series.

Depending on the application the direction of the channel opening can be freely chosen.

INSTALLATION

To be used in pairs.

TECHNICAL DATA

Max. perm. working load: 5.0 kN centre load per crossbar fixed with 2 Corner Brackets EW 41-1

Tightening torque: 40 Nm

Material: Steel, electro-galvanised

Codice	Nome	Peso	Numero di pezzi
--------	------	------	-----------------

PROSYSTEM ITALIA SRL

Via Friuli venezia Giulia, 15
30030 Pianiga - Venezia - Italy
T +39.041.510.1622
F +39.041.5131351

P.IVA 03470750278
Reg.Imp. Ve 03470750278
Cap.soc. € 90.000,00
REA Padova n° 311219

info@prosystemitalia.com
prosystemitalia.com

Codice	Nome	Peso	Numero di pezzi
117336	EW 41-1	0.28	25

PROSYSTEM ITALIA SRL

Via Friuli venezia Giulia, 15
30030 Pianiga - Venezia - Italy
T +39.041.510.1622
F +39.041.5131351

P.IVA 03470750278
Reg.Imp. Ve 03470750278
Cap.soc. € 90.000,00
REA Padova n° 311219

info@prosystemitalia.com
prosystemitalia.com