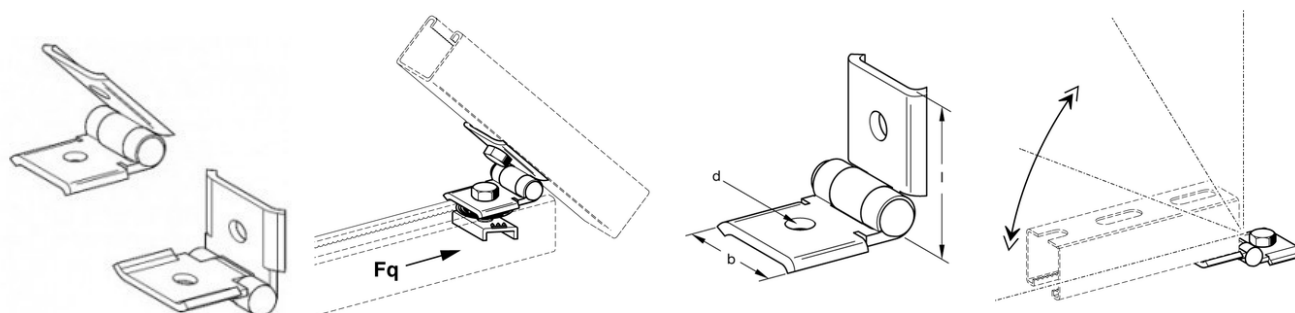


# JOINT 41 HCP



## APPLICATION

For connecting 41 mm channels allowing for variable angle-adjustment ranging from 0° - 180°. Suitable for direct connection to the building structure and, in combination with channel, can be used as an angular support for bracketry.

## INSTALLATION

Connecting possibilities:

Back of the channel with Channel Nut HZ 41 and screw

Opening of the channel with Speed Nut CC 41 and screw

## TECHNICAL DATA

Nominal load:  $F_q = 2.0$  kN per juncture

Tightening torque: 50 Nm

Material: Steel S235 JR, HCP.

### PROSYSTEM ITALIA SRL

Via Friuli venezia Giulia, 15  
30030 Pianiga - Venezia - Italy  
T +39.041.510.1622  
F +39.041.5131351

P.IVA 03470750278  
Reg.Imp. Ve 03470750278  
Cap.soc. € 90.000,00  
REA Padova n° 311219

[info@prosystemitalia.com](mailto:info@prosystemitalia.com)  
[prosystemitalia.com](http://prosystemitalia.com)

Codice	Nome	Peso	Numero di pezzi
198049	JOI 41 V	0.18	50
199244	JOI 41 Z	0.17	-

**PROSYSTEM ITALIA SRL**

Via Friuli venezia Giulia, 15  
30030 Pianiga - Venezia - Italy  
T +39.041.510.1622  
F +39.041.5131351

P.IVA 03470750278  
Reg.Imp. Ve 03470750278  
Cap.soc. € 90.000,00  
REA Padova n° 311219

[info@prosystemitalia.com](mailto:info@prosystemitalia.com)  
[prosystemitalia.com](http://prosystemitalia.com)