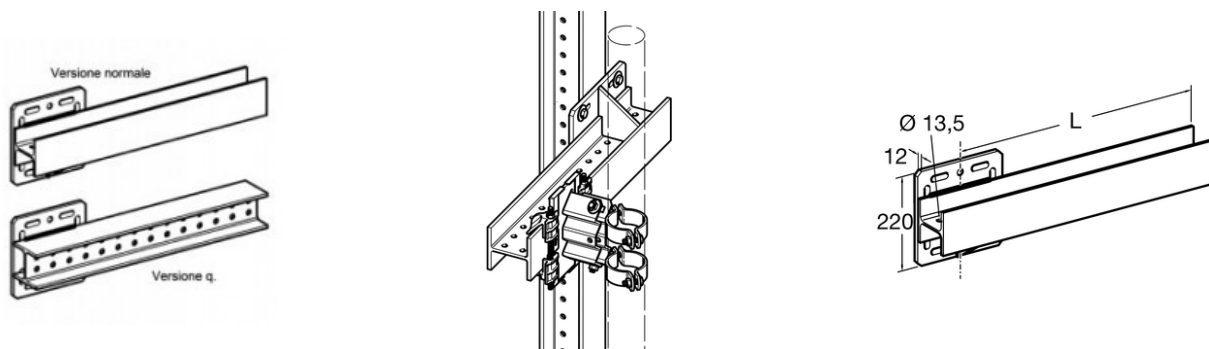


JOINING BEAM BRACKET QKO



APPLICATION

The Joining Beam Bracket enables the attachment of beams on concrete or at other steel girders. The connection of further STF Beam elements is made by Beam Connectors.

INSTALLATION

Depending on the situation, different options are recommended:

- a) Fixation to concrete by means of 4 heavy duty anchors M12 or M16;
- b) Frictional connection to steel beams with Assembly Set 5P M12 S (for flange width 80 - 120 mm);
- c) Interlocking connection to TKO 100 or 120 by means of Bracket Plates FV 100/120.

TECHNICAL DATA

Type	Dimensions of base plate H x H [mm]	Length of beam section A / L [mm]	Slots in base plate for
QKO 120 and QKO 120q x 600	220 x 220	600/700	M12

PROSYSTEM ITALIA SRL

Via Friuli venezia Giulia, 15
30030 Pianiga - Venezia - Italy
T +39.041.510.1622
F +39.041.5131351

P.IVA 03470750278
Reg.Imp. Ve 03470750278
Cap.soc. € 90.000,00
REA Padova n° 311219

info@prosystemitalia.com
prosystemitalia.com

Type	Dimensions of base plate H x H [mm]	Length of beam section A / L [mm]	Slots in base plate for
QKO 120 and QKO 120q x 1000	220 x 220	1000/1100	M12

Configuration: Base plate and support flange welded to an IPB 120 beam section.

Material: Steel, hot-dipped galvanised.

APPROVALS

CE mark, according to EN 1090.



Codice	Nome	Peso	Numero di pezzi
183917	QKO 100 L= 600 mm	17.12	-
183926	QKO 100 L=1000 mm	24.05	-
193228	QKO 120 L= 600 mm	23.2	-
193235	QKO 120 L=1000 mm	33.7	-
183935	QKO-Q 100 L= 600 mm	16.52	-
183944	QKO-Q 100 L=1000 mm	23.45	-
193242	QKO-Q 120 L= 600 mm	22.4	-
193259	QKO-Q 120 L=1000 mm	33.6	-

PROSYSTEM ITALIA SRL

Via Friuli venezia Giulia, 15
30030 Pianiga - Venezia - Italy
T +39.041.510.1622
F +39.041.5131351

P.IVA 03470750278
Reg.Imp. Ve 03470750278
Cap.soc. € 90.000,00
REA Padova n° 311219

info@prosystemitalia.com
prosystemitalia.com