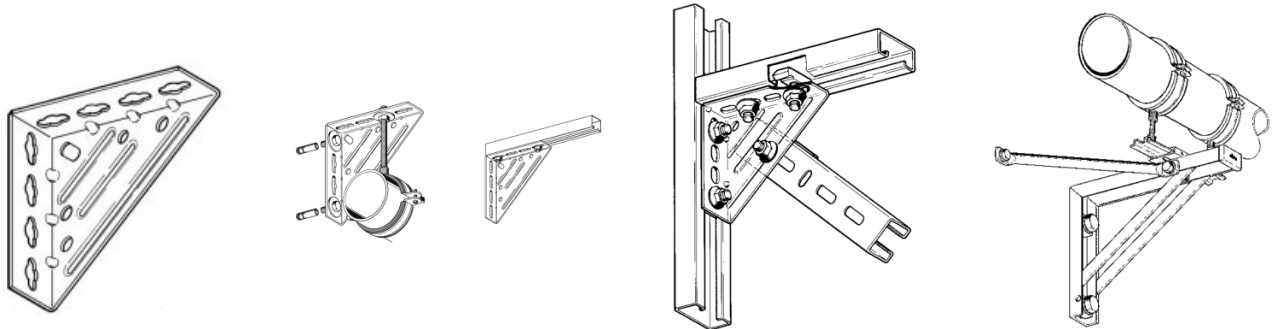


SUPPORT BRACKET WK



APPLICATION

Support Brackets may be used for wall, floor and overhead pipe installation.

Depending on the site, pipes may lie on the support bracket (U bolt), be arranged in vertical position or be suspended (grub screws).

In combination with bolted-on channels, the support brackets offer a wide range of possibilities for cantilever arrangements. In addition, the load capacity of cross-bars can be increased by fixing them onto Support Brackets.

TECHNICAL DATA

Material:

- Steel, sizes up to 550/350 electro-galvanised;
- Steel, sizes 725/400 and 880/550 hot-dipped galvanised (hdg).

Details on dimensions and carrying capacities: see following pages:

The permissible loads depicted by the characteristic curves in the graphs are taking into account the reduced load capacity of the stipulated anchors due to reduced centre distances.

PROSYSTEM ITALIA SRL

Via Friuli venezia Giulia, 15
30030 Pianiga - Venezia - Italy
T +39.041.510.1622
F +39.041.5131351

P.IVA 03470750278
Reg.Imp. Ve 03470750278
Cap.soc. € 90.000,00
REA Padova n° 311219

info@prosystemitalia.com
prosystemitalia.com

Codice	Nome	Peso	Numero di pezzi
145626	100/100/30 mm	0.16	25
163921	100/100/40 mm	0.21	25
155513	150/150/40 mm	0.58	25
118170	200/200/60 mm	1.22	10
118046	300/200 mm	2.32	1
145635	550/350 mm	4.51	1
151041	725/400 mm HCP	12.72	1
151050	880/550 mm HCP	18.43	1

PROSYSTEM ITALIA SRL

Via Friuli venezia Giulia, 15
30030 Pianiga - Venezia - Italy
T +39.041.510.1622
F +39.041.5131351

P.IVA 03470750278
Reg.Imp. Ve 03470750278
Cap.soc. € 90.000,00
REA Padova n° 311219

info@prosystemitalia.com
prosystemitalia.com