

END SUPPORT WBD



APPLICATION

In combination with a channel, End Support WBD is particularly suitable

- for setting up support structures attached to walls, floors and ceilings;
- in particular as a base for frame structures made of channels.

The generous dimensions and the rhombic shape of the mounting plate provide for a high bending moment and safely stabilise lateral loads.

INSTALLATION

Normally, two bolts grouped opposite to each other and along the load axis are sufficient. Only in exceptional cases (e.g. high props in frameworks) four bolts are required.

Minimum torque values for the hexagon bolts of the 41 Holding Brackets are:

PROSYSTEM ITALIA SRL

Via Friuli venezia Giulia, 15
30030 Pianiga - Venezia - Italy
T +39.041.510.1622
F +39.041.5131351

P.IVA 03470750278
Reg.Imp. Ve 03470750278
Cap.soc. € 90.000,00
REA Padova n° 311219

info@prosystemitalia.com
prosystemitalia.com

Types	Holding Brackets[pcs]	Bolt for HoldingBracket	Accessories	Torque[Nm]
41/21-31 up to 41/41-45	1	M10	pre-assembled	40
41/52 up to 41-75/75	2	M12	pre-assembled	60
41/21 D up to 41/45 D	1	M10	in loose form	40
41/52 D up to 41-75/75 D	1	M12	in loose form	60

For ceiling mounting under high loads (up to 7.0 kN), we recommend the use of at least one fully traversing bolt for connecting the channel to the End Support WBD (for examples see "Installation Guideline").

TECHNICAL DATA

Material: Steel, cold-formed, electro-galvanised.

Working load for Wall mounting:

See tables on the following pages. The figures apply on walls if two bolts of the load class as stated are used.

Working load for Ceiling Mounting:

The permissible maximum vertical load for ceiling mounting structures fixed by way of at least one traversing bolt (class 8.8) amounts to 7.0 kN

For End Supports WBD for single channels, the following values apply subject to the condition that all included accessories are assembled correctly.

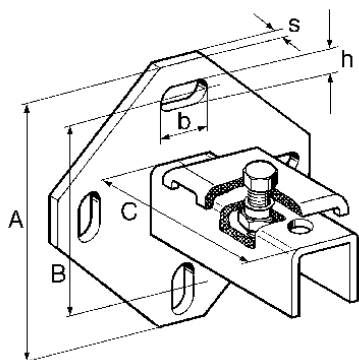
PROSYSTEM ITALIA SRL

Via Friuli venezia Giulia, 15
30030 Pianiga - Venezia - Italy
T +39.041.510.1622
F +39.041.5131351

P.IVA 03470750278
Reg.Imp. Ve 03470750278
Cap.soc. € 90.000,00
REA Padova n° 311219

info@prosystemitalia.com
prosystemitalia.com

Types	Working load (tension) for ceiling mounting[kN]
41/21-31 up to 41/41-45	2.0
41/52 up to 41-75/75	4.0



Type	Suitable for channel	A[mm]	s[mm]	B[mm]	b[mm]	h[mm]	C[mm]
41/21-31	41/21/1.5 - 2.0 41/31/2,0	135	6	100	25	11	95
41/41-45	41/41/2.0 - 2.5 41/45/2.5	135	6	100	25	11	95
41/52	41/52/2.5	170	6	120	25	13	131
41/62	41/62/2.5	170	6	120	25	13	131
41-75/65	41-75/65/3.0	210	8	170	25	13	131
41-75/75	41-75/75/3.0	210	8	170	25	13	131
41/21 D	41/21/1.5 - 2.0 D	135	6	100	25	11	125
41/41-45 D	41/41/2.0 - 2.5 D 41/45/2.5 D	210	8	170	25	13	125
41/52 D	41/52/2.5 D	210	8	170	25	13	135
41/62 D	41/62/2.5 D	255	8	205	25	13	135
41-75/65 D	41-75/65/3.0 D	255	8	205	25	13	135
41-75/75 D	41-75/75/3.0 D	255	8	205	25	13	135

PROSYSTEM ITALIA SRL

Via Friuli venezia Giulia, 15
30030 Pianiga - Venezia - Italy
T +39.041.510.1622
F +39.041.5131351

P.IVA 03470750278
Reg.Imp. Ve 03470750278
Cap.soc. € 90.000,00
REA Padova n° 311219

info@prosystemitalia.com
prosystemitalia.com

Codice	Nome	Peso	Numero di pezzi
177725	WBD 41/21	0.73	10
155054	WBD 41/41	0.79	10
155063	WBD 41/62	1.5	5
177752	WBD 41-75/75	2.19	5
146469	WBD 41/21 D	1.14	5
106768	WBD 41/41 D	2.46	5
155090	WBD 41/62 D	4	5
177779	WBD 41-75/75 D	4.38	5

PROSYSTEM ITALIA SRL

Via Friuli venezia Giulia, 15
30030 Pianiga - Venezia - Italy
T +39.041.510.1622
F +39.041.5131351

P.IVA 03470750278
Reg.Imp. Ve 03470750278
Cap.soc. € 90.000,00
REA Padova n° 311219

info@prosystemitalia.com
prosystemitalia.com