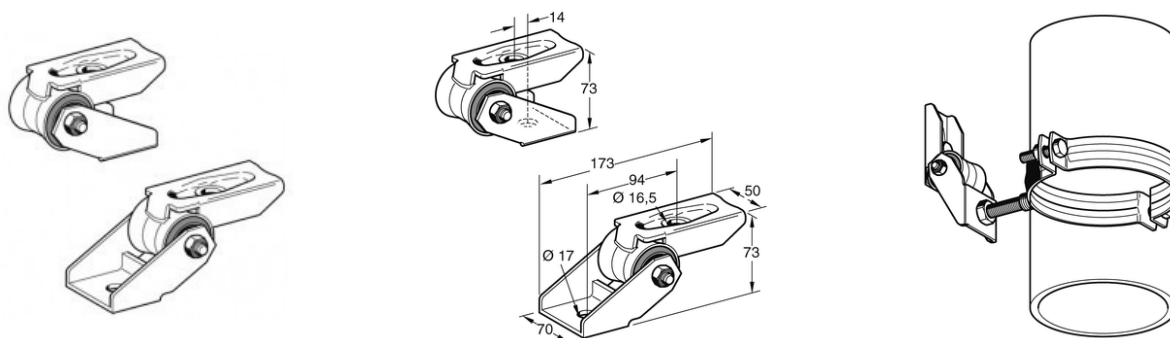


SOUND ABSORBER SDE 2-SBV/SBZ



APPLICATION

Universal sound absorption element for heavy loads. Particularly suitable for soundproof installation of sound-insulated fixed points

of devices in the fields of ventilation and air conditioning.

Can be fixed either directly to building components by means of an M16 heavy duty anchor or to steel structures. It is also possible to mount the Sound Absorber onto Channels (recommended from size 41/41 onwards) , or to insulate complete channel structures from the building structure.

The element is also suitable as joint fixing for channels on angular ceilings, walls and floors.

SCOPE OF DELIVERY

Both types (SBV or SBZ) consist of identical components; the joint bracket, which is to be connected with the support system is pre-assembled by means of an M10 hexagon bolt and safety nut; the position of this bracket determines the type.

PROSYSTEM ITALIA SRL

Via Friuli venezia Giulia, 15
30030 Pianiga - Venezia - Italy
T +39.041.510.1622
F +39.041.5131351

P.IVA 03470750278
Reg.Imp. Ve 03470750278
Cap.soc. € 90.000,00
REA Padova n° 311219

info@prosystemitalia.com
prosystemitalia.com

INSTALLATION

For soundproof fixed points, the use of Sikla Stabil pipe clamps is recommended. Installation can be made either as

- a) single point connection (centric on the 3G nut of a Stabil D-3G) or as
- b) two point connection (on both sides of a Stabil D)

TECHNICAL DATA

Working load (under tension or pressure for all directions in the plane of rotation): max. 10 kN

Sound absorption value: up to 15 dB(A)

Note:

Lateral forces require additional support.

Dimensioning of the anchor and of further joining elements may restrict the application.

Type	Connection to building structure [mm]	Connection to system [mm]	Spring constant c [kN/mm]
SDE 2 - SBV	∅ 16.5	∅ 17.0	3.5
SDE 2 - SBZ	∅ 16.5	∅ 17.0	3.5

Material: - Metal body: Welded steel, electro-galvanised- Sound absorption insert: PUR (foamed), RG 650 kg/m³

Temperature range: -30 up to +100°C

PROSYSTEM ITALIA SRL

Via Friuli venezia Giulia, 15
30030 Pianiga - Venezia - Italy
T +39.041.510.1622
F +39.041.5131351

P.IVA 03470750278
Reg.Imp. Ve 03470750278
Cap.soc. € 90.000,00
REA Padova n° 311219

info@prosystemitalia.com
prosystemitalia.com

Codice	Nome	Peso	Numero di pezzi
161406	SBV	1	10
161062	SBZ	0.99	10

PROSYSTEM ITALIA SRL

Via Friuli venezia Giulia, 15
30030 Pianiga - Venezia - Italy
T +39.041.510.1622
F +39.041.5131351

P.IVA 03470750278
Reg.Imp. Ve 03470750278
Cap.soc. € 90.000,00
REA Padova n° 311219

info@prosystemitalia.com
prosystemitalia.com