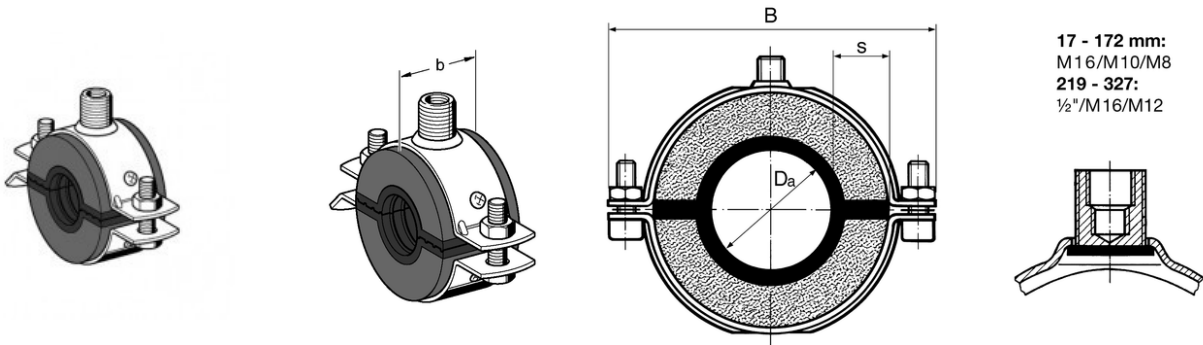


REFRIGERATION CLAMP SKS



APPLICATION

SCOPE OF DELIVERY

Used for cold-water pipeline systems and refrigeration installations. Fixation of pipe lines degenerated from sound and vibration. First class sound absorption by means of soft foam. One size covers several pipe dimensions. Permissible pipe dia. tolerances are securely adjusted by the elastomer part which also prevents from condensation which may occur due to slots. No sealant is needed - the smooth adhesion of the pipe insulation at the front surface is possible. Suitable also for heavy loads.

TECHNICAL DATA

The insulation insert is firmly integrated in the Stabil Clamp. With inserted and welded 3G triple thread nut, up to size 70 - 75 with joint. Retaining and clamping bolts are inserted on both sides of the lower part and cannot fall out due to a plastic washer. The nuts for the retaining bolts are welded to the other clamp part up to size 168 - 172. Multifaceted connection options via the external thread of the 3G triple thread nut with adapter IG/IG. Material: - Insulating component: Polyurethane (PUR) foam sp.gr. 250 kg/m³; - Pipe clamp: Steel, galvanised.

Compression strength: 0.7 N/mm² (for static loads) Diffusion resistance: the closed-cell structure of the PUR serves as a durable barrier, which develops through the total thickness of the insulation.

Thermal conductivity:

$\lambda = 0.042 \text{ W/mK at } 10^\circ\text{C}$ $\lambda = 0.043 \text{ W/mK at } 20^\circ\text{C}$ $\lambda = 0.044 \text{ W/mK at } 30^\circ\text{C}$ $\lambda = 0.045 \text{ W/mK at } 40^\circ\text{C}$

Temperature range: from -50°C up to $+110^\circ\text{C}$, short-term excess temperature permissible
Insulation insert: up to 25.3 dB(A) up to 26.3 dB(A) for system testing

PROSYSTEM ITALIA SRL

Via Friuli venezia Giulia, 15
30030 Pianiga - Venezia - Italy
T +39.041.510.1622
F +39.041.5131351

P.IVA 03470750278
Reg.Imp. Ve 03470750278
Cap.soc. € 90.000,00
REA Padova n° 311219

info@prosystemitalia.com
prosystemitalia.com

Fire resistance: Material Category B2 (DIN 4102) no fire transmission.

Type	NB	Ins. insertb x s [mm]	B [mm]
17 - 22	3/8" - 1/2"	40 x 20	104
23 - 26		40 x 20	111
27 - 32	3/4"	40 x 20	111
33 - 38	1"	40 x 20	117
38 - 42		40 x 20	169
42 - 47	1 1/4"	40 x 30	169
48 - 54	1 1/2"	40 x 30	169
57 - 62	2"	50 x 30	190
63 - 68		50 x 30	190
70 - 75		50 x 30	190
76 - 81	2 1/2"	50 x 30	207
89 - 94	3"	50 x 30	222
107 - 112		60 x 40	263
113 - 117	4"	60 x 40	273
125 - 128		60 x 40	301
133 - 137		60 x 40	295
138 - 142	5"	60 x 40	295
157 - 161		60 x 40	329
168 - 172	6"	60 x 40	329
219 - 222	8"	100 x 60	428
272 - 275	10"	100 x 60	481
324 - 327		100 x 60	534

PROSYSTEM ITALIA SRL

Via Friuli venezia Giulia, 15
30030 Pianiga - Venezia - Italy
T +39.041.510.1622
F +39.041.5131351

P.IVA 03470750278
Reg.Imp. Ve 03470750278
Cap.soc. € 90.000,00
REA Padova n° 311219

info@prosystemitalia.com
prosystemitalia.com

Codice	Nome	Peso	Numero di pezzi
191207	17 - 22 mm ½" s= 20	0.2	50
194980	23 - 26 mm s= 20	0.21	-
191216	27 - 32 mm ¾" s= 20	0.2	50
191225	33 - 38 mm 1" s= 20	0.2	50
194997	38 - 42 mm s= 20	0.43	-
191234	42 - 47 mm 1¼" s= 30	0.45	25
191243	48 - 54 mm 1½" s= 30	0.45	25
191252	57 - 62 mm 2" s= 30	0.55	25
195000	63 - 68 mm s= 30	0.52	-
191261	70 - 75 mm s= 30	0.55	25
191279	76 - 81 mm 2½" s= 30	0.9	25
191288	89 - 94 mm 3" s= 30	1	25
191297	107 - 112 mm s= 40	1.3	10
191306	113 - 117 mm 4" s= 40	1.43	10
195048	125 - 128 mm s= 40	1.45	-
191315	133 - 137 mm s= 40	1.49	10
191324	138 - 142 mm 5" s= 40	1.53	10
191333	157 - 161 mm s= 40	1.65	-
191342	168 - 172 mm 6" s= 40	1.7	10
191351	219 - 222 mm 8" s= 60	3.93	1
191369	272 - 275 mm 10" s= 60	4.48	1
191378	324 - 327 mm 12" s= 60	5.18	1

PROSYSTEM ITALIA SRL

Via Friuli venezia Giulia, 15
30030 Pianiga - Venezia - Italy
T +39.041.510.1622
F +39.041.5131351

P.IVA 03470750278
Reg.Imp. Ve 03470750278
Cap.soc. € 90.000,00
REA Padova n° 311219

info@prosystemitalia.com
prosystemitalia.com