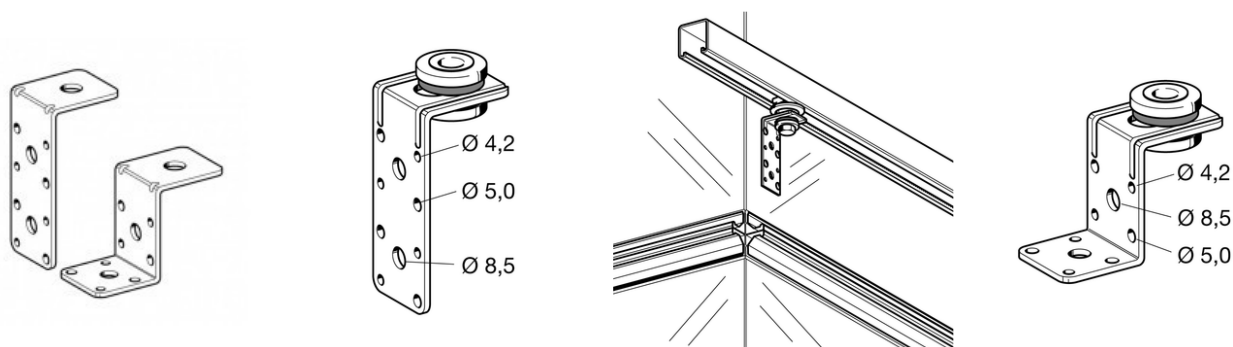


DUCTING ANGLE LUW A



APPLICATION

For suspension of pipes, without precise dimensions. For installations without special mounting requirements. The plastic type is particularly suitable for damp locations and for the support of copper pipes. Technical data
 Max adm. load: 17 mm: 0,5 kN
 19 mm: 0,5 kN
 Working temperature
 Galvanized type: up to + 250°C
 Plasticized type: - 40°C up to + 95°C

Type	Connection	Width x thickness [mm]	Length [mm]
A-L	M8/M10	35 x 2	35/85
A-Z	M8/M10	35 x 2	35/46/38
A-SL	M8/M10	35 x 2	35/85
A-SZ	M8/M10	35 x 2	35/46/38

Codice	Nome	Peso	Numero di pezzi
189893		0.09	100
189902	SZ	0.09	100
110496	A-L	0.06	100
110498	A-Z	0.06	100

PROSYSTEM ITALIA SRL

Via Friuli venezia Giulia, 15
 30030 Pianiga - Venezia - Italy
 T +39.041.510.1622
 F +39.041.5131351

P.IVA 03470750278
 Reg.Imp. Ve 03470750278
 Cap.soc. € 90.000,00
 REA Padova n° 311219

info@prosystemitalia.com
prosystemitalia.com

Codice	Nome	Peso	Numero di pezzi
110497	A-SL	0.06	100
110499	A-SZ	0.06	100

PROSYSTEM ITALIA SRL

Via Friuli venezia Giulia, 15
30030 Pianiga - Venezia - Italy
T +39.041.510.1622
F +39.041.5131351

P.IVA 03470750278
Reg.Imp. Ve 03470750278
Cap.soc. € 90.000,00
REA Padova n° 311219

info@prosystemitalia.com
prosystemitalia.com