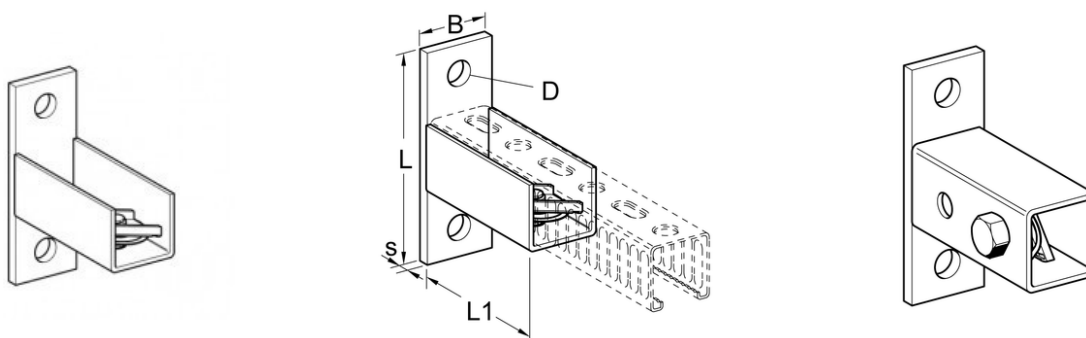


CHANNEL HOLDER MOF 27



APPLICATION

To be used for installing crossbars between two channels 27 or as base unit for projecting channels.

Note: When assembling version MH as cantilever, consider sufficient bracing of the channel. In case of tension load F_z at channel slot, screws must be displaced.

SCOPE OF DELIVERY

Completely assembled. Installation Position the channel into the U-profile. Click in the speed nut by pushing on the bolt head and tighten with 10 Nm.

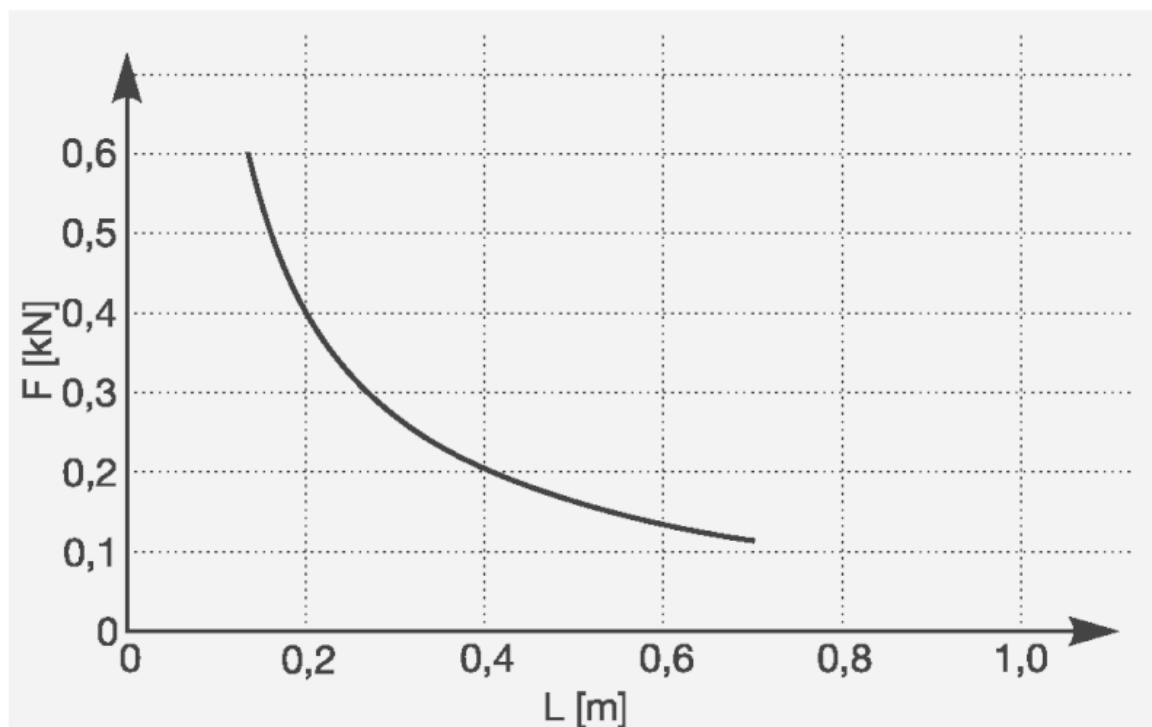
TECHNICAL DATA

PROSYSTEM ITALIA SRL

Via Friuli venezia Giulia, 15
30030 Pianiga - Venezia - Italy
T +39.041.510.1622
F +39.041.5131351

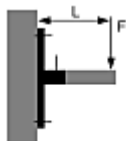
P.IVA 03470750278
Reg.Imp. Ve 03470750278
Cap.soc. € 90.000,00
REA Padova n° 311219

info@prosystemitalia.com
prosystemitalia.com



Adm. anchor loads to be respected.

Max. adm. load for assembly on ceilings in vertical direction: 0,8 kN.



Material: Steel, electro-galvanised.

Codice	Nome	Peso	Numero di pezzi
198858	MH 27	0.2	25
198865	MV 27	0.2	25

PROSYSTEM ITALIA SRL

Via Friuli venezia Giulia, 15
30030 Pianiga - Venezia - Italy
T +39.041.510.1622
F +39.041.5131351

P.IVA 03470750278
Reg.Imp. Ve 03470750278
Cap.soc. € 90.000,00
REA Padova n° 311219

info@prosystemitalia.com
prosystemitalia.com