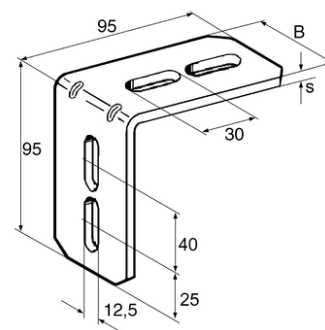
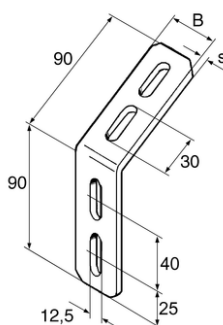
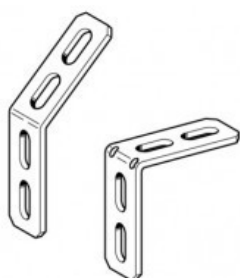


ANGLE BRACKETS MW



APPLICATION

Suitable for Sikla Channel System 41.

Useful addition to Support Brackets for integration in crossbars and other structures composed of channels with a width of 41 mm.

TECHNICAL DATA

Nominal load: 4,5 kN

Material: Steel strip, cold-worked, electro-galvanised.

Tipo	B [mm]	s [mm]
90/90/45°	40	5
95/95/90°	40	5

Codice	Nome	Peso	Numero di pezzi
--------	------	------	-----------------

PROSYSTEM ITALIA SRL

Via Friuli venezia Giulia, 15
30030 Pianiga - Venezia - Italy
T +39.041.510.1622
F +39.041.5131351

P.IVA 03470750278
Reg.Imp. Ve 03470750278
Cap.soc. € 90.000,00
REA Padova n° 311219

info@prosystemitalia.com
prosystemitalia.com

Codice	Nome	Peso	Numero di pezzi
114936	95/95/90°	0.22	25
106759	90/90/45°	0.22	25
114945		0.21	25

PROSYSTEM ITALIA SRL

Via Friuli venezia Giulia, 15
30030 Pianiga - Venezia - Italy
T +39.041.510.1622
F +39.041.5131351

P.IVA 03470750278
Reg.Imp. Ve 03470750278
Cap.soc. € 90.000,00
REA Padova n° 311219

info@prosystemitalia.com
prosystemitalia.com