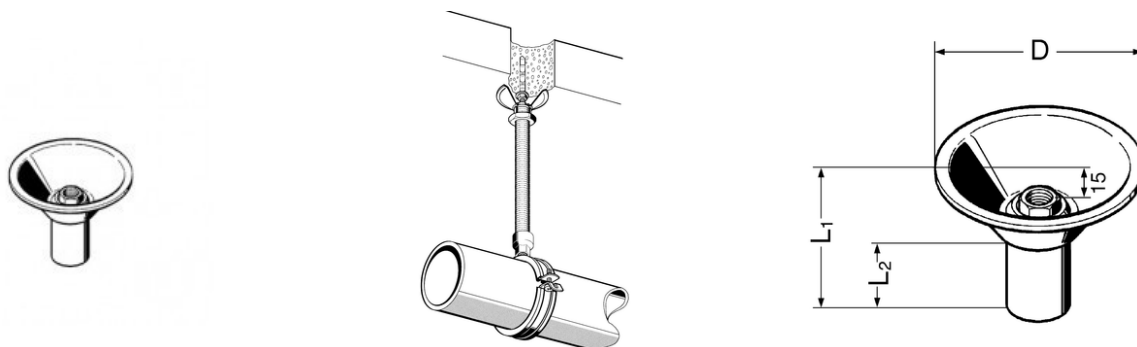


# SUPPORT CONE SMD 1



## APPLICATION

Single-point mounting element for use with an anchor for floor, wall and ceiling mounting in M&E services. With its good overall stability, the SMD 1 Support Cone may also be used as a fixed-point mounting element in certain areas. In that case the permissible values for the lateral forces indicated in the characteristic curve are to be taken into consideration. This also applies to wall mounting situations. When used as fixed-point mounting element the pipe clamp is to be connected directly to the support tube. When used as a normal, rigid mounting element, a grub screw may be used between support tube and pipe clamp for height adjustment.

## TECHNICAL DATA

Material: Steel, electro-galvanised.

The mentioned dates respect the permissible bending stress.

$\sigma_{perm} \leq 160 \text{ N/mm}^2$  and the bending  $f_{zul} \leq 3 \text{ mm}$ .

Permissible anchor values may restrict the application.



| Type | Connection to system | Connection to building structure | D [mm] | L1 [mm] | L2 [mm] |
|------|----------------------|----------------------------------|--------|---------|---------|
|      |                      |                                  |        |         |         |

### PROSYSTEM ITALIA SRL

Via Friuli venezia Giulia, 15  
30030 Pianiga - Venezia - Italy  
T +39.041.510.1622  
F +39.041.5131351

P.IVA 03470750278  
Reg.Imp. Ve 03470750278  
Cap.soc. € 90.000,00  
REA Padova n° 311219

[info@prosystemitalia.com](mailto:info@prosystemitalia.com)  
[prosystemitalia.com](http://prosystemitalia.com)

| Type          | Connection to system | Connection to building structure | D [mm] | L1 [mm] | L2 [mm] |
|---------------|----------------------|----------------------------------|--------|---------|---------|
| SMD1 M12 F8   | M12                  | M8                               | 92     | 71      | 46      |
| SMD1 M16 F10  | M16                  | M10                              | 92     | 65      | 39      |
| SMD1 1/2" F10 | 1/2"                 | M10                              | 92     | 60      | 34      |
| SMD1 3/4" F12 | 3/4"                 | M12                              | 92     | 60      | 36      |

| Codice | Nome          | Peso | Numero di pezzi |
|--------|---------------|------|-----------------|
| 117984 | SMD1 M16 F10  | 0.25 | 25              |
| 118125 | SMD1 1/2" F10 | 0.23 | 25              |
| 118134 | SMD1 3/4" F12 | 0.25 | 25              |

**PROSYSTEM ITALIA SRL**

Via Friuli venezia Giulia, 15  
30030 Pianiga - Venezia - Italy  
T +39.041.510.1622  
F +39.041.5131351

P.IVA 03470750278  
Reg.Imp. Ve 03470750278  
Cap.soc. € 90.000,00  
REA Padova n° 311219

[info@prosystemitalia.com](mailto:info@prosystemitalia.com)  
[prosystemitalia.com](http://prosystemitalia.com)