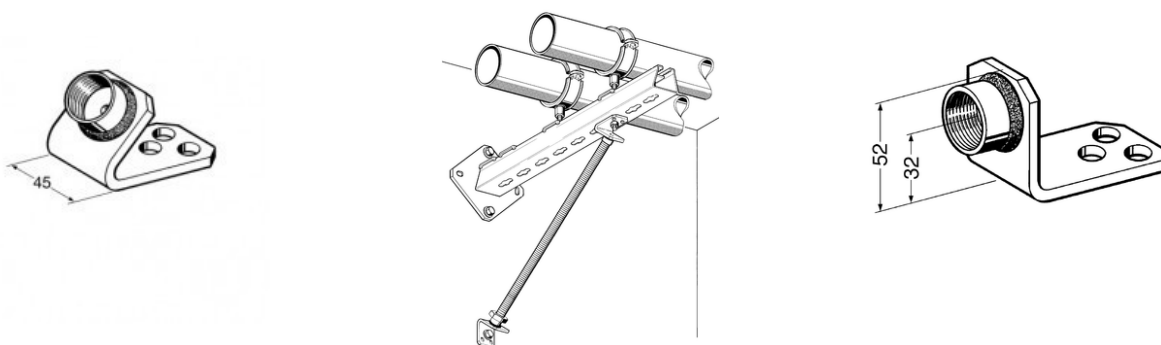


# SOCKET ANGLE ST



## APPLICATION

Base element for setting up horizontal and vertical tie rods on site.

## TECHNICAL DATA

Material: Steel cold-worked, electro-galvanised.

To determine the load capacity of a cantilever construction, please add the permissible load of the bracket with the permissible loads mentioned in the table "Socket Angle".



Codice	Nome	Peso	Numero di pezzi
143828	1/2" 45°	0.26	25
143837	3/4" 45°	0.27	25
143846	1" 45°	0.29	25
148744	1/2" 90°	0.26	25

### PROSYSTEM ITALIA SRL

Via Friuli venezia Giulia, 15  
30030 Pianiga - Venezia - Italy  
T +39.041.510.1622  
F +39.041.5131351

P.IVA 03470750278  
Reg.Imp. Ve 03470750278  
Cap.soc. € 90.000,00  
REA Padova n° 311219

[info@prosystemitalia.com](mailto:info@prosystemitalia.com)  
[prosystemitalia.com](http://prosystemitalia.com)

Codice	Nome	Peso	Numero di pezzi
148762	1/2" 90°	0.26	25

---

**PROSYSTEM ITALIA SRL**

Via Friuli venezia Giulia, 15  
30030 Pianiga - Venezia - Italy  
T +39.041.510.1622  
F +39.041.5131351

P.IVA 03470750278  
Reg.Imp. Ve 03470750278  
Cap.soc. € 90.000,00  
REA Padova n° 311219

[info@prosystemitalia.com](mailto:info@prosystemitalia.com)  
[prosystemitalia.com](http://prosystemitalia.com)