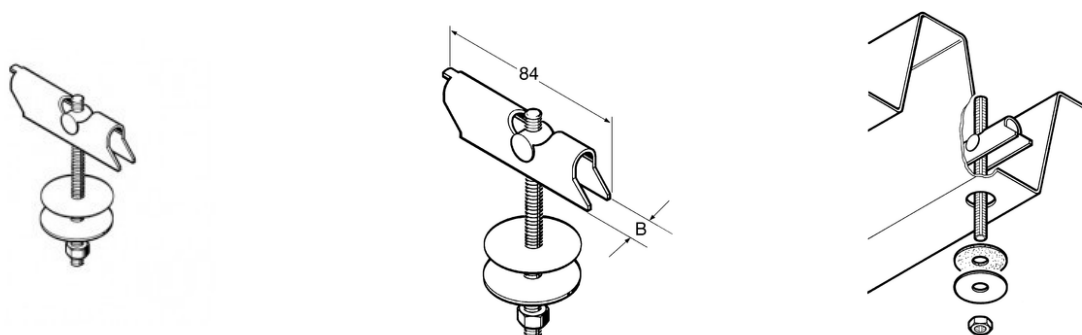


# TOGGLE STUD KD



## APPLICATION

For fixing pipes up to a nominal diameter of NB50 directly to ceilings made of trapezoidal corrugated sheet according to VdS/FM standards or as single point mounting solution.

In cases where VdS or FM regulations are not applicable or in cases of ventilation systems, larger loads may be fixed via crossbars and by an appropriate number of toggle studs.

By turning the threaded rod, it is possible to make height adjustments. This threaded rod is secured and cannot be unscrewed completely.

The Hypalon washer is weather-resistant and thus a crucial safety factor when sealing the mounting bore.

## INSTALLATION

For the installation hole in the trapezoidal sheet the Hole Saw LS is to be used: Type M8 = LS 22, type TD10 = LS 25

## TECHNICAL DATA

Nominal load: 0.8 kN for each fixing point

### PROSYSTEM ITALIA SRL

Via Friuli venezia Giulia, 15  
30030 Pianiga - Venezia - Italy  
T +39.041.510.1622  
F +39.041.5131351

P.IVA 03470750278  
Reg.Imp. Ve 03470750278  
Cap.soc. € 90.000,00  
REA Padova n° 311219

[info@prosystemitalia.com](mailto:info@prosystemitalia.com)  
[prosystemitalia.com](http://prosystemitalia.com)

Note: Permissible carrying capacity of the trapezoidal sheet has to be considered.

Material: Steel, electro-galvanised, gasket elastomer.

Type	Sprinkler application	Length of grub screw[mm]	Fitting bore[mm]	B[mm]
M 8 x 100	VdS	100	22	14
M 8 x 200	VdS	200	22	14
M 10 x 100	FM	100	25	16
M 10 x 200	FM	200	25	16

## APPROVALS

Types M8 for sprinkler systems according to Vds Standards. VdS: G4780118.



Types TD 10 are approved for sprinkler systems by FM.



Codice	Nome	Peso	Numero di pezzi
113810	M 8 × 100 mm VdS	0.11	100
113805	M 8 × 100 mm VdS	0.11	100
125569	M 8 × 200 mm VdS	0.14	50
126065	M10 × 100 mm FM	0.13	50
125578	M10 × 200 mm FM	0.18	50

### PROSYSTEM ITALIA SRL

Via Friuli venezia Giulia, 15  
30030 Pianiga - Venezia - Italy  
T +39.041.510.1622  
F +39.041.5131351

P.IVA 03470750278  
Reg.Imp. Ve 03470750278  
Cap.soc. € 90.000,00  
REA Padova n° 311219

[info@prosystemitalia.com](mailto:info@prosystemitalia.com)  
[prosystemitalia.com](http://prosystemitalia.com)