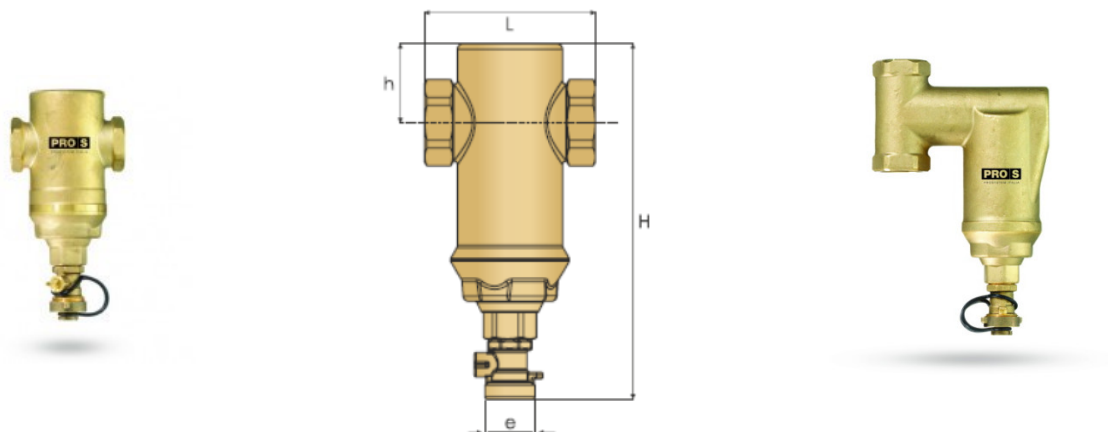


# PROCLEAN



## APPLICATION

The online processors Proclean is used to capture sludge in hydraulic circuits on closed heating or air conditioning systems

Equipped with a special MicroSmart Screen stainless steel mesh.

PROvent must be installed with the pipe in a horizontal / vertical position.

Technical data	Provent
Body:	Brass
Connections:	threaded 1"-2"
Max. operating temperature:	110 ° C
Max. operating pressure:	10 bar

Model	Position	H [mm]	h [mm]	L [mm]
3/4"	orizz.	174	40	85

### PROSYSTEM ITALIA SRL

Via Friuli venezia Giulia, 15  
30030 Pianiga - Venezia - Italy  
T +39.041.510.1622  
F +39.041.5131351

P.IVA 03470750278  
Reg.Imp. Ve 03470750278  
Cap.soc. € 90.000,00  
REA Padova n° 311219

[info@prosystemitalia.com](mailto:info@prosystemitalia.com)  
[prosystemitalia.com](http://prosystemitalia.com)

1"	orizz.	174	40	85
1" <sup>1</sup> / <sub>4</sub>	orizz.	174	41	88
1" <sup>1</sup> / <sub>2</sub>	orizz.	198	45	99
2"	orizz.	198	46	99
1"	vert.	214	86	137

Codice	Nome	Peso	Numero di pezzi
32470	Proclean 3/4"	1.32	6
32471	Proclean 1"	1.7	1
32472	Proclean 1 1/4"	1.7	1
32473	Proclean 1 1/2"	1.7	1
32474	Proclean 2"	1.7	1
32476	Proclean 1"	3.3	1

**PROSYSTEM ITALIA SRL**

Via Friuli venezia Giulia, 15  
30030 Pianiga - Venezia - Italy  
T +39.041.510.1622  
F +39.041.5131351

P.IVA 03470750278  
Reg.Imp. Ve 03470750278  
Cap.soc. € 90.000,00  
REA Padova n° 311219

[info@prosystemitalia.com](mailto:info@prosystemitalia.com)  
[prosystemitalia.com](http://prosystemitalia.com)