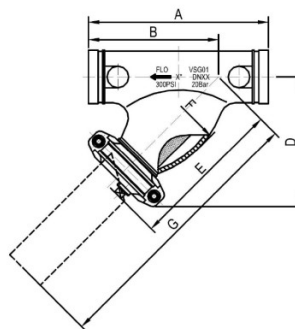


Y-STRAINER MOD. FY FM



APPLICATION

Model adaptable to vertical or horizontal installations; allows to minimize the pressure drop and protects the pump and / or other components by the passage of foreign bodies inside the pipe. It has to be installed with two grooved couplings.

TECHNICAL DATA

Working pressure: PN20 Working temperature: from - 10°C to max + 110°C Holes diameter from 2" to 5"
: Ø 1,6 mm span 2,4 mm from 6" to 8": Ø 3,2 mm

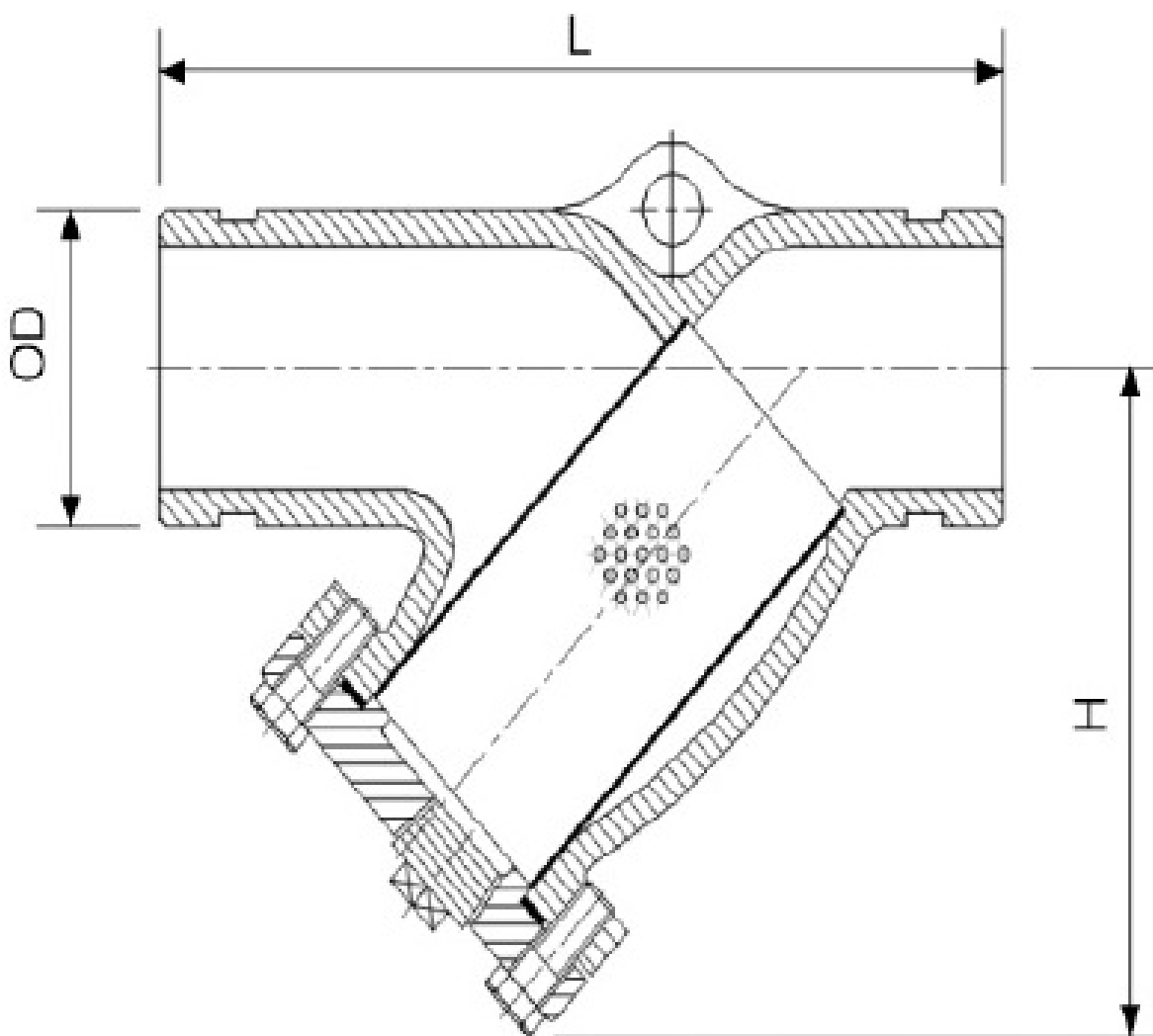
Material:- Body: ductile iron ASTM A536- Cover: ductile iron ASTM 536- Drain: ductile iron ASTM A536 - Gasket: EPDM- Surface treatment: red painted RAL 3000

PROSYSTEM ITALIA SRL

Via Friuli venezia Giulia, 15
30030 Pianiga - Venezia - Italy
T +39.041.510.1622
F +39.041.5131351

P.IVA 03470750278
Reg.Imp. Ve 03470750278
Cap.soc. € 90.000,00
REA Padova n° 311219

info@prosystemitalia.com
prosystemitalia.com



Codice	Nome	Peso	Numero di pezzi
FY076FM	76,1 mm 2"½	6.4	-
FY114FM	114,3 mm 4"	14.5	-
FY139FM	139,7 mm 5"	22.7	-

PROSYSTEM ITALIA SRL

Via Friuli venezia Giulia, 15
30030 Pianiga - Venezia - Italy
T +39.041.510.1622
F +39.041.5131351

P.IVA 03470750278
Reg.Imp. Ve 03470750278
Cap.soc. € 90.000,00
REA Padova n° 311219

info@prosystemitalia.com
prosystemitalia.com