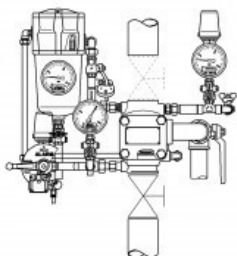


DRY PIPE ALARM VALVE SET TAV



APPLICATION

The alarm valve works as a normal check valve, but it can generate alarms when is activated.

The piping are filled with air pressure, or nitrogen. The breaking of a sprinkler generates a pressure drop which drives the opening of the alarm valve allowing water to reach the dispenser.

Application even on installations subject to freezing.

SCOPE OF DELIVERY

The station is delivered fully assembled, complete with: body dry pipe valve flange at the bottom and grooved at the top, trim, outside screw gate valve, 2 gauge, 1 switch, throttle SE2 and related accessories.

Attention: alarm gong and gate valve must be ordered separately.

TECHNICAL DATA

Max pressure admitted: 16 bar

Max working temperature: 60°C

Max working pressure: 12,5 bar

PROSYSTEM ITALIA SRL

Via Friuli venezia Giulia, 15
30030 Pianiga - Venezia - Italy
T +39.041.510.1622
F +39.041.5131351

P.IVA 03470750278
Reg.Imp. Ve 03470750278
Cap.soc. € 90.000,00
REA Padova n° 311219

info@prosystemitalia.com
prosystemitalia.com

Water supply pressure: 3 bar

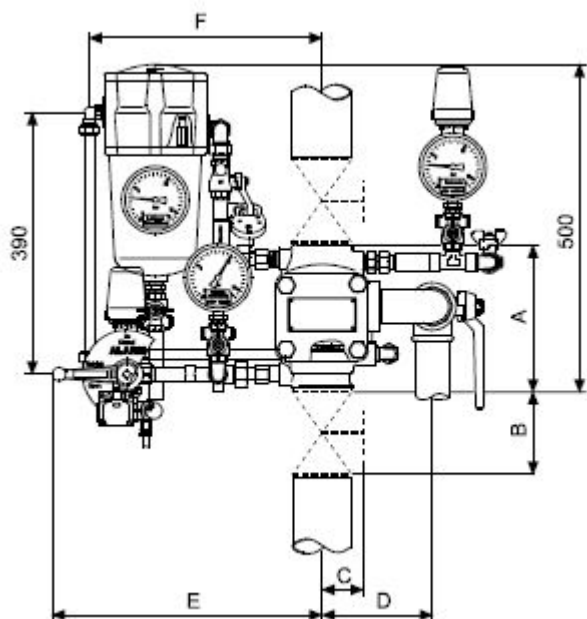
Type	NB	Equivalent lengths [m]	c [mm]	f [mm]	g [mm]
TAV80-FS-VdS	80	4,4	342	500	173
TAV100-FS-VdS	100	8,0	355	525	203
TAV150-FS-VdS	150	11,6	382	570	223
TAV80-FS-FM	80	4,4	342	500	173
TAV100-FS-FM	100	8,0	355	525	203
TAV150-FS-FM	150	11,6	382	570	223
TAV80-SS-VdS	80	4,4	342	500	173
TAV100-SS-VdS	100	8,0	355	525	203
TAV150-SS-VdS	150	11,6	382	570	223
TAV80-SS-FM	80	4,4	342	500	173
TAV100-SS-FM	100	8,0	355	525	203
TAV150-SS-FM	150	11,6	382	570	223

PROSYSTEM ITALIA SRL

Via Friuli venezia Giulia, 15
30030 Pianiga - Venezia - Italy
T +39.041.510.1622
F +39.041.5131351

P.IVA 03470750278
Reg.Imp. Ve 03470750278
Cap.soc. € 90.000,00
REA Padova n° 311219

info@prosystemitalia.com
prosystemitalia.com



APPROVALS

CE, FM, VdS.



Codice	Nome	Peso	Numero di pezzi
850003	DN 80 F/S	35.1	1

PROSYSTEM ITALIA SRL

Via Friuli venezia Giulia, 15
30030 Pianiga - Venezia - Italy
T +39.041.510.1622
F +39.041.5131351

P.IVA 03470750278
Reg.Imp. Ve 03470750278
Cap.soc. € 90.000,00
REA Padova n° 311219

info@prosystemitalia.com
prosystemitalia.com