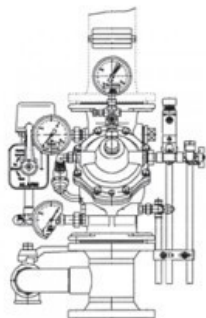


DELUGE VALVE FSX WITH PNEUMATIC ACTUATION -
prosystemitalia.com

DELUGE VALVE FSX WITH PNEUMATIC ACTUATION



APPLICATION

The deluge system is normally used both for deluge systems to protect areas and large surfaces and systems to protect localized areas and surfaces such as cooling tanks and water blades. The deluge system is also compatible for use in foam systems at low, medium and high expansion. The implementation is done through the opening of an air line.

Application on any type of installation.

SCOPE OF DELIVERY

The standard version comes fully assembled and complete with body deluge valve (connection with flanged or grooved), trim, gauges and pressure switch, pneumatic actuation. Are excluded from the supply gate valves and the water motor.

TECHNICAL DATA

Actuation:pneumatic

PROSYSTEM ITALIA SRL

Via Friuli venezia Giulia, 15
30030 Pianiga - Venezia - Italy
T +39.041.510.1622
F +39.041.5131351

P.IVA 03470750278
Reg.Imp. Ve 03470750278
Cap.soc. € 90.000,00
REA Padova n° 311219

info@prosystemitalia.com
prosystemitalia.com

Max permissible pressure: 16 bar

Working temperature: Max 60°C

Water supply pressure according to the flow rate:

min. 2.0 bar: up to 5 m/s

min. 2.5 bar: 5-7 m/s

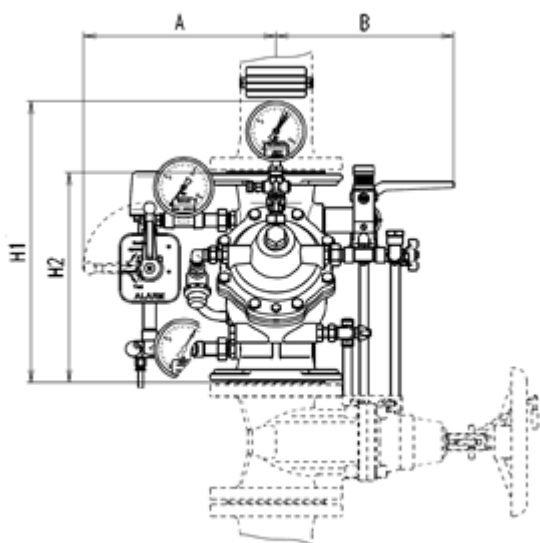
min. 3.0 bar: 7-8 m/s

min. 3.8 bar: 8-10 m/s

Allarm: dry contact 1 NC, 1 NO.

Drain valve: K2, K20.

Flange connection dimensions: DIN 2501



DN	Equivalent Length [m]	A [mm]	B[mm]	H1 [mm]	H2 [mm]
50	3,1	310	230	430	300
80	7,1	315	295	460	320
100	12,0	335	310	500	350
150	26,9	355	390	580	480

PROSYSTEM ITALIA SRL

Via Friuli venezia Giulia, 15
30030 Pianiga - Venezia - Italy
T +39.041.510.1622
F +39.041.5131351

P.IVA 03470750278
Reg.Imp. Ve 03470750278
Cap.soc. € 90.000,00
REA Padova n° 311219

info@prosystemitalia.com
prosystemitalia.com

DN	Equivalent Lenght [m]	A [mm]	B[mm]	H1 [mm]	H2 [mm]
200	23,8	385	420	670	600

APPROVALS

CE, VdS, Gost-R, FM.



Codice	Nome	Peso	Numero di pezzi
850466	DN 80 S/S	38.7	-
850481	DN 100 S/S	48.5	-
850497	DN 150 S/S	84.8	-
850512	DN 200 S/S	177.1	-

PROSYSTEM ITALIA SRL

Via Friuli venezia Giulia, 15
30030 Pianiga - Venezia - Italy
T +39.041.510.1622
F +39.041.5131351

P.IVA 03470750278
Reg.Imp. Ve 03470750278
Cap.soc. € 90.000,00
REA Padova n° 311219

info@prosystemitalia.com
prosystemitalia.com