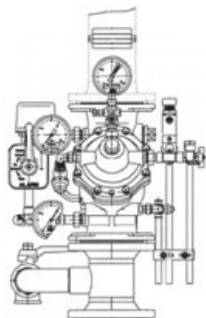


DELUGE VALVE FSX WITH ELECTRIC ACTUATION -
prosystemitalia.com

DELUGE VALVE FSX WITH ELECTRIC ACTUATION



APPLICATION

The deluge system is normally used both for deluge systems to protect areas and large surfaces and systems to protect localized areas and surfaces such as cooling tanks and water blades. The deluge system is also compatible for use in foam systems at low, medium and high expansion. The sprinklers downstream of the valve are open.

Application on any type of installation.

SCOPE OF DELIVERY

The standard version comes fully assembled and complete with body deluge valve (connection with flanged or grooved), trim, gauges and pressure switch, pneumatic actuation. Are excluded from the supply gate valves and the water motor.

Technical Data

Actuation:pneumatic

Max permissible pressure: 16 bar

PROSYSTEM ITALIA SRL

Via Friuli venezia Giulia, 15
30030 Pianiga - Venezia - Italy
T +39.041.510.1622
F +39.041.5131351

P.IVA 03470750278
Reg.Imp. Ve 03470750278
Cap.soc. € 90.000,00
REA Padova n° 311219

info@prosystemitalia.com
prosystemitalia.com

Working temperature: Max 60°C

Water supply pressure according to the flow rate:

min. 2.0 bar: up to 5 m/s

min. 2.5 bar: 5-7 m/s

min. 3.0 bar: 7-8 m/s

min. 3.8 bar: 8-10 m/s

Allarm: dry contact 1 NC, 1 NO

Drain valve: K2, K20

Flange connection dimensions: DIN 2501

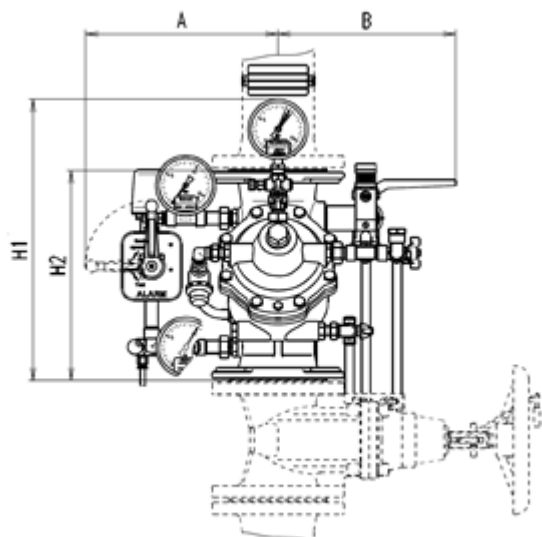
DN	Equivalent Length [m]	A [mm]	B[mm]	H1 [mm]	H2 [mm]
50	3,1	310	230	430	300
80	7,1	315	295	460	320
100	12	335	310	500	350
150	26,9	355	390	580	480
200	23,8	385	420	670	600

PROSYSTEM ITALIA SRL

Via Friuli venezia Giulia, 15
30030 Pianiga - Venezia - Italy
T +39.041.510.1622
F +39.041.5131351

P.IVA 03470750278
Reg.Imp. Ve 03470750278
Cap.soc. € 90.000,00
REA Padova n° 311219

info@prosystemitalia.com
prosystemitalia.com



APPROVALS

CE, VdS, Gost-R, FM.



Codice	Nome	Peso	Numero di pezzi
850444	DN 50 S/S	24	-
850459	DN 80 S/S	35	-
850474	DN 100 S/S	51.1	1
850491	DN 150 S/S	51.1	1
850477	DN 100 S/S	38.7	-

PROSYSTEM ITALIA SRL

Via Friuli venezia Giulia, 15
30030 Pianiga - Venezia - Italy
T +39.041.510.1622
F +39.041.5131351

P.IVA 03470750278
Reg.Imp. Ve 03470750278
Cap.soc. € 90.000,00
REA Padova n° 311219

info@prosystemitalia.com
prosystemitalia.com