

BUTTERFLY VALVE VSVS WITH SWITCH



APPLICATION

Grooved end butterfly valve, with gear operator and switch.

TECHNICAL DATA

Material:

- Body: ductile iron ASTM A 536;
- Upper stem: stainless steel Astm A 276 tipo 420;
- Disc: ductile iron ASTM a 536 with EPDM encapsulation;
- Gear operator: cast iron and steel.

NB	E [mm]	F [mm]	G [mm]	H [mm]	J [mm]	K [mm]	L [mm]	M [mm]	N [mm]	P [mm]	Q [mm]	R [mm]
65	98	61	285	74	90	54	195	134	96	75	150	85
80	98	73	310	74	90	54	195	143	105	90	150	97
100	116	98	360	74	90	54	195	173	135	110	150	124
125	149	122	390	74	90	54	195	186	148	127	150	155

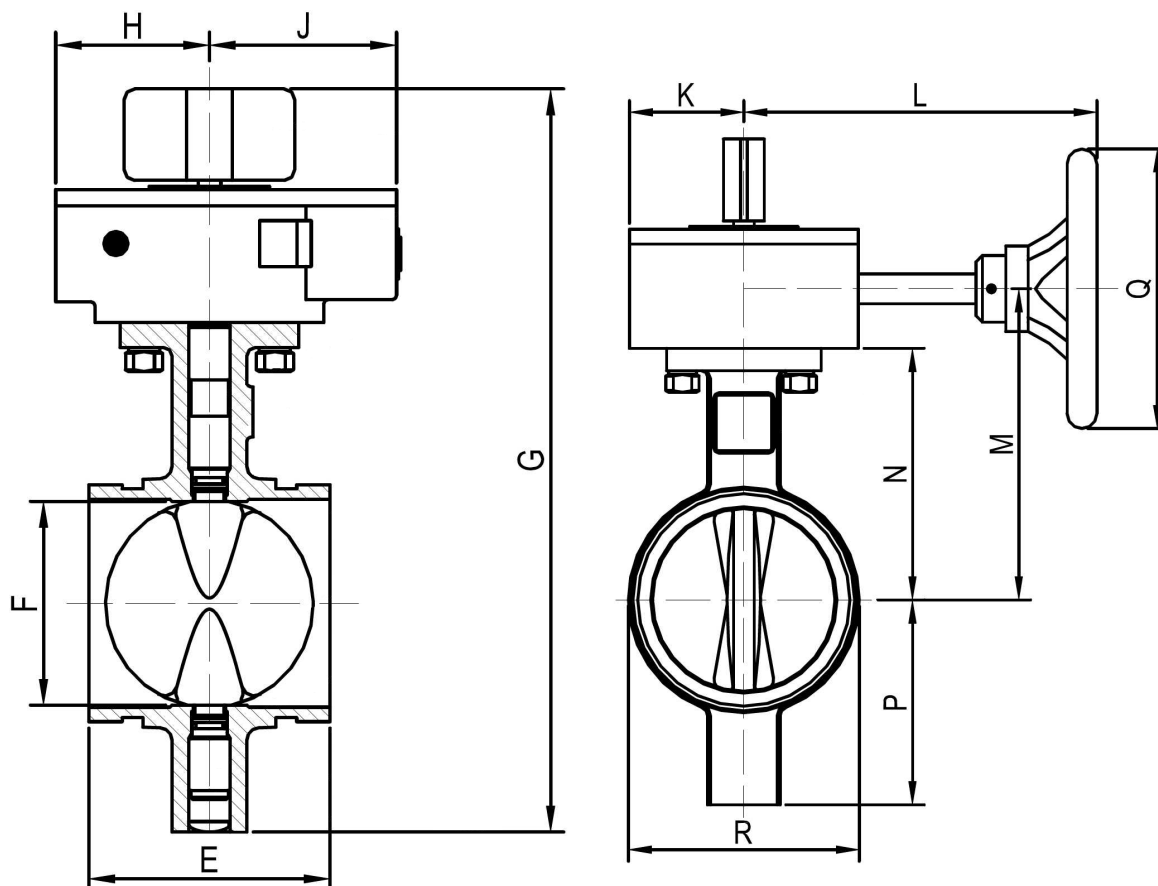
PROSYSTEM ITALIA SRL

Via Friuli venezia Giulia, 15
30030 Pianiga - Venezia - Italy
T +39.041.510.1622
F +39.041.5131351

P.IVA 03470750278
Reg.Imp. Ve 03470750278
Cap.soc. € 90.000,00
REA Padova n° 311219

info@prosystemitalia.com
prosystemitalia.com

NB	E [mm]	F [mm]	G [mm]	H [mm]	J [mm]	K [mm]	L [mm]	M [mm]	N [mm]	P [mm]	Q [mm]	R [mm]
150	149	146	425	74	90	54	195	203	165	145	150	183
200	134	196	493	74	90	54	204	242	204	175	250	236
250	160	243	578	99	101	77	241	290	245	210	300	289



APPROVAL

UL, FM.

PROSYSTEM ITALIA SRL

Via Friuli venezia Giulia, 15
30030 Pianiga - Venezia - Italy
T +39.041.510.1622
F +39.041.5131351

P.IVA 03470750278
Reg.Imp. Ve 03470750278
Cap.soc. € 90.000,00
REA Padova n° 311219

info@prosystemitalia.com
prosystemitalia.com

Codice	Nome	Peso	Numero di pezzi
VSVS-076	DN 65 2 1/2"	8.5	-
VSVS-089	DN 80 3"	8.8	-
VSVS-114	DN 100 4"	10.8	-
VSVS-139	DN 125 5"	14.4	-
VSVS-168	DN 150 6"	16.3	-
VSVS-219	DN 200 8"	23.2	-
VSVS-273	DN 250 10"	41	-
VWVS-076	DN 150 6"	16.3	-
VWVS-089	DN 150 6"	16.3	-
VSVS-324	DN 250 10"	41	-
VWVS-060	DN 150 6"	16.3	-
VWVS-114	DN 150 6"	16.3	-
VWVS-139	DN 150 6"	16.3	-
VWVS-168	DN 150 6"	16.3	-
VWVS-219	DN 150 6"	16.3	-
VWVS-324	DN 150 6"	41	-

PROSYSTEM ITALIA SRL

Via Friuli venezia Giulia, 15
30030 Pianiga - Venezia - Italy
T +39.041.510.1622
F +39.041.5131351

P.IVA 03470750278
Reg.Imp. Ve 03470750278
Cap.soc. € 90.000,00
REA Padova n° 311219

info@prosystemitalia.com
prosystemitalia.com