

DELUGE VALVE SET



Deluge valve set Type FSX

*Cool down.
Fire Protection by*

MINIMAX

► Product ► Use + Advantages

- Deluge valve sets are used in extinguishing systems where pipeworks with open nozzles are a must. Their use is always advisable where water needs to be discharged in larger areas via an appropriate number of nozzles.

Simultaneously for activation, an acoustic alarm is set off by a hydraulically operated alarm gong, and an electric alarm is transmitted to a permanently manned location (e.g. fire brigade). The deluge valve set can be activated either electrically, pneumatically or hydraulically. An additional manual release is also provided.

- Typical fields of application for water spray and fine water spray extinguishing systems are:

- Protection of machinery
- Industrial presses
- Transformer stations
- Tank system cooling
- Cable ducts
- Recycling systems
- Painting systems
- Theatre stages

- + Pre-assembled trimming guarantees fast installation
- + Low weight
- + Compact design reduces the space required
- + Corrosion-resistant internal parts
- + High permissible operating pressure: 16 bar
- + Reduced pressure loss
- + No water hammer due to a cushioned closing action
- + Suitable for high flow rates
- + Functional and pressure tests of the valve set conducted by the manufacturer
- + Remote panel for the manual control of the deluge valve set with electric release available
- + Optionally available external operating unit for manual remote-controlled re-setting of the deluge valve set with electric activation.
- + VdS-Approval
- + FM-Approval

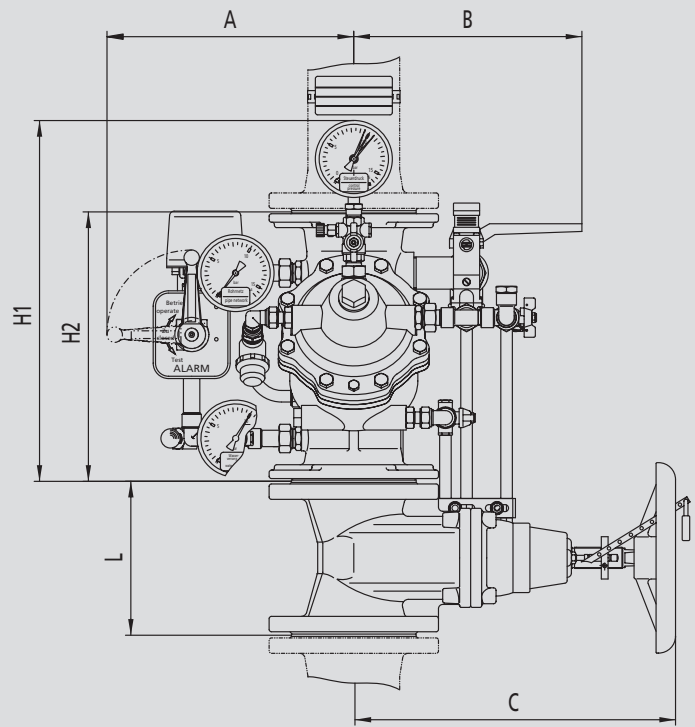


Deluge valve set with electric activation Dimensions

	DN 50	DN 80	DN 100	DN 150	DN 200
A	310	315	335	355	385
B	230	295	310	390	420
C	305	375	425	540	688
H1	430	460	500	580	670
H2	280	310	350	480	600
L	150	180	190	210	230
Distance to the front of valve*	220	260	280	360	460
back of valve*	185	220	220	276	276

* from pipe center

The gate valve can either be pulled from the side or towards the front.



► Hydraulic activation

As far as the hydraulic activation is concerned, the pilot line is directly connected to the control chamber of the deluge valve. The system pressure of the water supply is permanently applied to the pilot line. Should a pilot sprinkler release, the pressure in the control chamber drops and the deluge valve opens.

► Pneumatic activation

The pneumatic activation of the deluge valve set is accomplished via a pilot line filled with compressed air and equipped with sprinklers or special heat sensors. In order to avoid a nuisance activation, the pilot line operating pressure is maintained by means of an automatic compressed air replenishment system. A diaphragm valve is positioned between the pneumatic pilot line and the control chamber of the deluge valve. If one of the sprinklers or heat sensors release, the pressure in the pilot line drops and opens the diaphragm valve. This causes a pressure release in the deluge valve control chamber, the valve opens and water flows into the nozzle pipe work.

The deluge valve set with pneumatic activation is particularly suitable for areas exposed to frost.

► Electric activation with impulse valve

The electric activation of the deluge valve set is accomplished by means of a detection system, which triggers the solenoid valve in the event of fire. The solenoid valve opens, the pressure in the deluge valve control chamber drops and the nozzle pipe work will be flooded.

► In the event of fire, an electric alarm is released and transmitted to a permanently manned location. In addition an acoustic alarm is released by means of an alarm gong. This applies to all activation modes.

► In addition, Minimax offers an external panel that enables the manual activation of the Minimax deluge valve set from a remote location.

It can be used for the following tasks:

- Activation of the extinguishing process
- Minimisation of water damage through interruption of the water supply
- Easy and repeated reactivation if required
- Recommissioning of the deluge valve set which guarantees continuous protection

Technical data

Nominal diameter	Maximum permissible pressure	Connection	Medium	Ambient temperature	Alarm	Activation
DN 50 DN 80 DN 100 DN 150 DN 200	PS 16	Flange/Flange Groove/Groove	Water	Max. 60 °C	Pressure switch with potential-free contacts 1 NO contact 1 NC contact	hydraulic, pneumatic, electric, manual

Subject to technical alterations.

Minimax GmbH & Co. KG
Industriestrasse 10/12
23840 Bad Oldesloe
Germany
Phone: +49 4531 803-0
Fax: +49 4531 803-248
E-mail: info@minimax.de
www.minimax.de

